

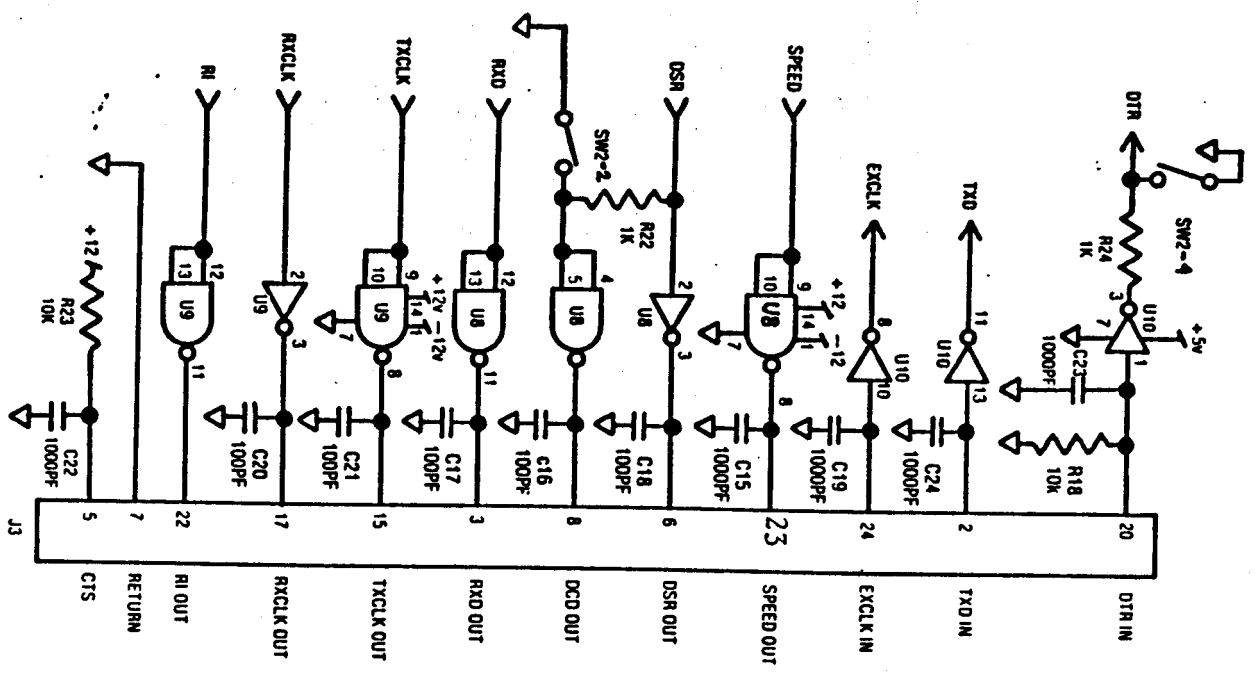
1201F

Sheet 1 of 4

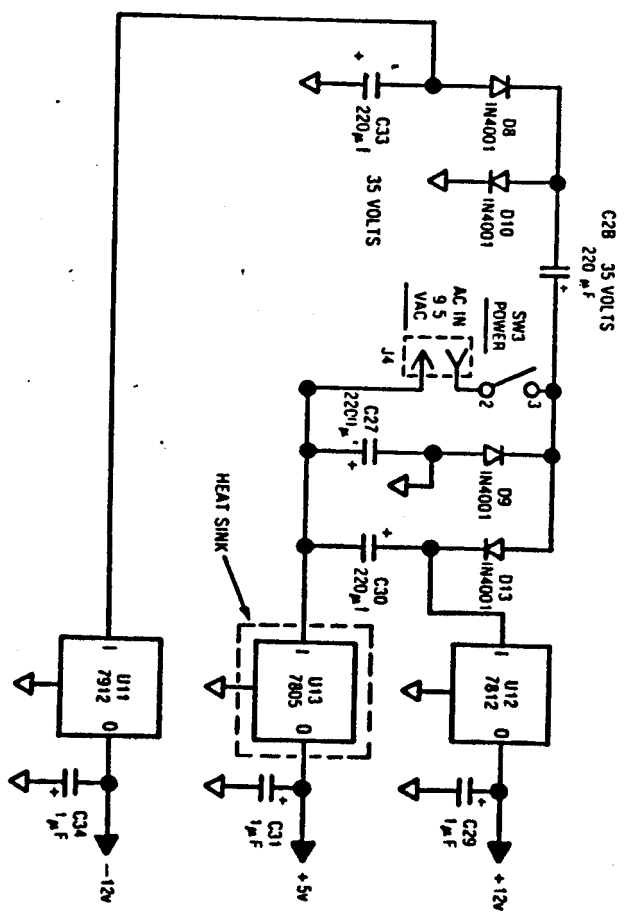
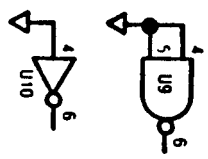
7-15-86

REV. A





47

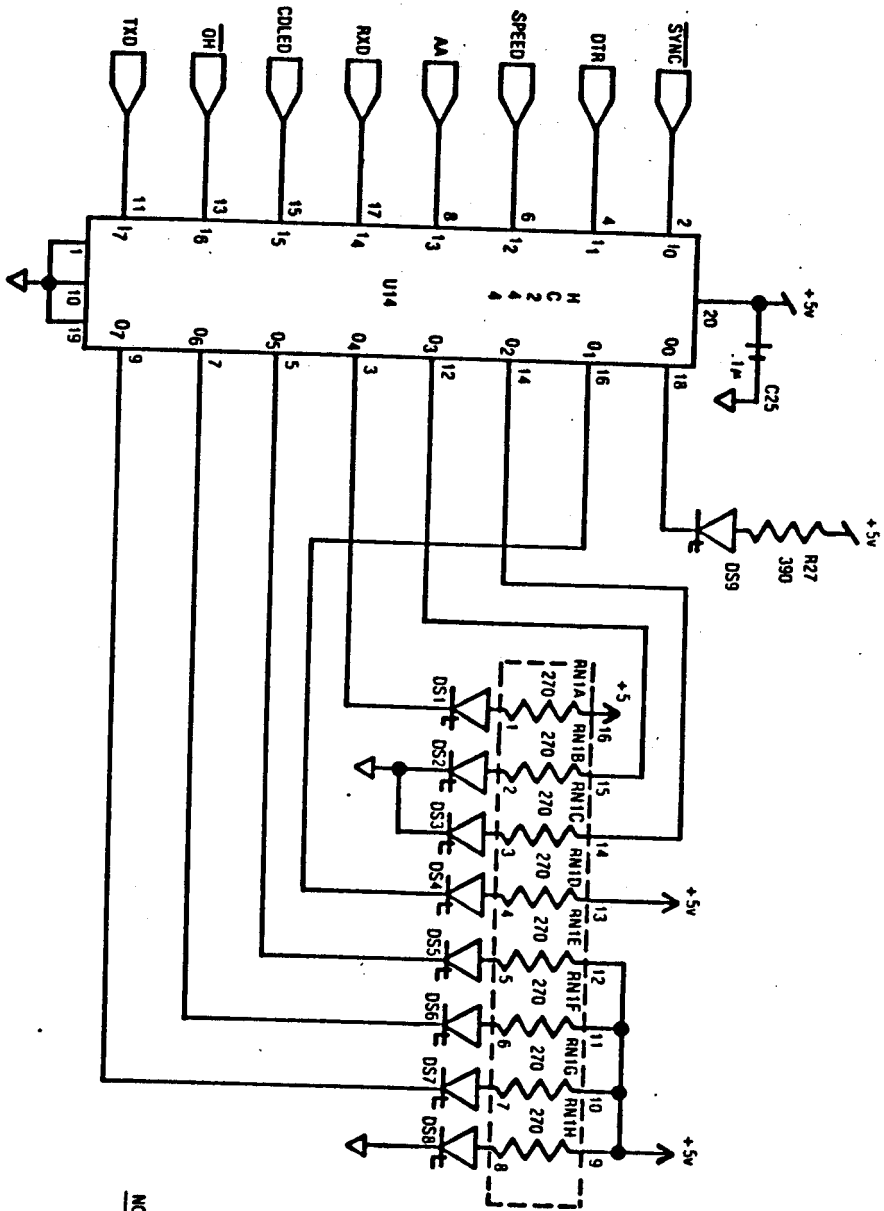


1201F

SHEET 3 OF 4

7-15-86

REV. A



NOTES:

- S1-S8: DIP SWITCH PACKAGE (8)
- S4-S8PST PUSH SWITCH
- S2-S4: 4 SWITCH DIP PACKAGE
- S3: TOGGLE SWITCH

1201F

SHEET 4 OF 4

7-15-86

REV. A