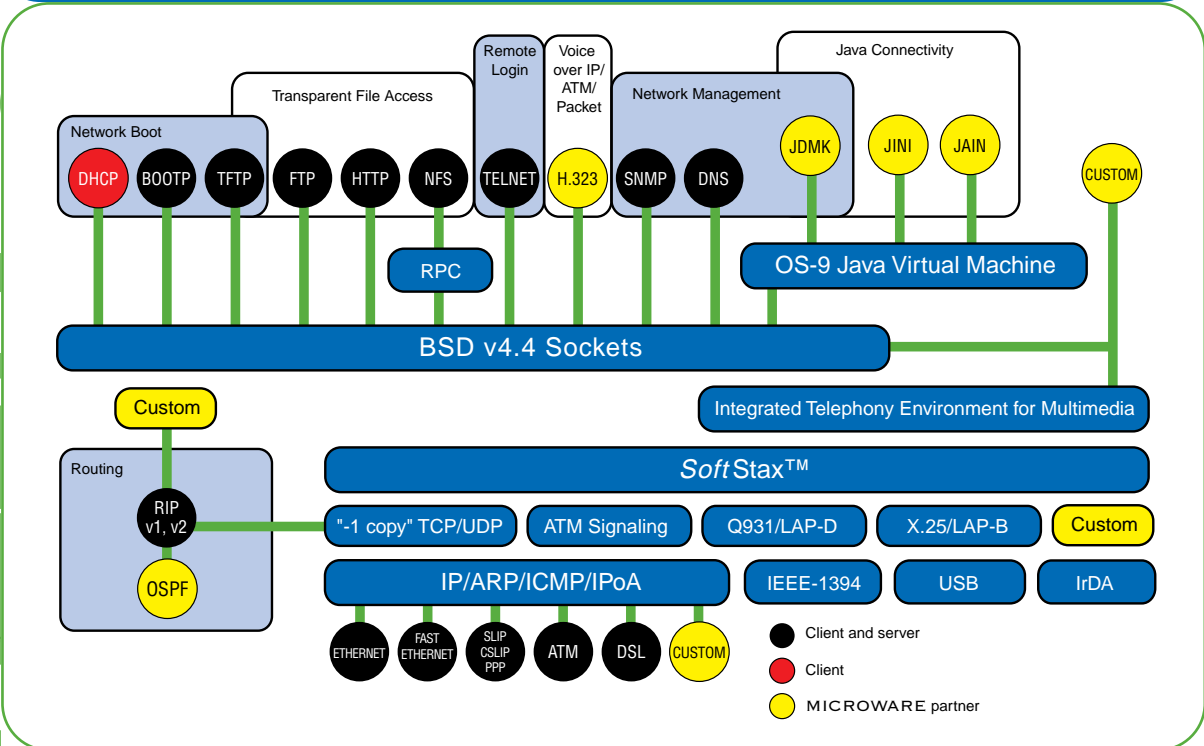


MICROWARE'S OS-9® AND SoftStax™ comprehensive networking



ROBUST CONNECTIVITY OPTIONS

Microware Systems Corporation provides a complete networking solution including WAN, LAN and home connectivity options that provides more finished code for a variety of communications applications. Other RTOS options limit product connectivity to TCP/IP on ethernet or serial. Microware's OS-9 solution extends the reach into integrated ATM, fast ethernet, and Digital Subscriber Loop (DSL) topologies. Connectivity interfaces such as USB, IEEE 1394, and IrDA are built into the framework as well, to further simplify system development. Microware has invested engineering time and talent to create the industry's most robust, integrated connectivity solutions for the most demanding of applications.

HIGH PERFORMANCE, INTEROPERABLE FRAMEWORK

The SoftStax™ communications I/O framework is the heart of OS-9 networking. SoftStax is a driver based communications environment tightly integrated with OS-9 that provides the ability to "snap-in-and-out" underlying network technologies without disturbing the application.

Driver-based communications architecture is a hot topic in the industry today. Embedded Systems Programming and Dr. Dobbs have recently featured articles on this new communications software paradigm. SoftStax™ provides significant performance benefits over the traditional approach to communications software development. SoftStax™ limits context switches to 1 or 2 as opposed to multiple switches as the data steps up

and down the protocol stack. This eliminates unnecessary context switching and critical section protection. In comparisons with identical code implemented in SoftStax™ versus traditional methods, the SoftStax™ environment displayed a 28% performance boost attributed directly to the SoftStax™ architecture. Microware has also eliminated one of the 2 implied copies in "no copy TCP/IP" to create "-1 copy TCP".

PRE-INTEGRATED PARTNERS ON A SINGLE CD-ROM

Microware eliminates multi-vendor confusion by researching middleware technologies and partnering with technology leaders to provide a finished solution. ATM signaling pre-integrated with Harris & Jeffries, web server/email clients with Allegro Software Development, and EMANATE™ SNMP from SNMP Research are just a few examples of the partnerships that have completed the integration effort of multiple products so you don't have to.

MODULAR AND EASY CUSTOMIZATION

Middleware is provided in source and binary form for full control as well as eliminating integration effort. Example networking applications and null layer protocol drivers are provided for easy custom application and protocol development.