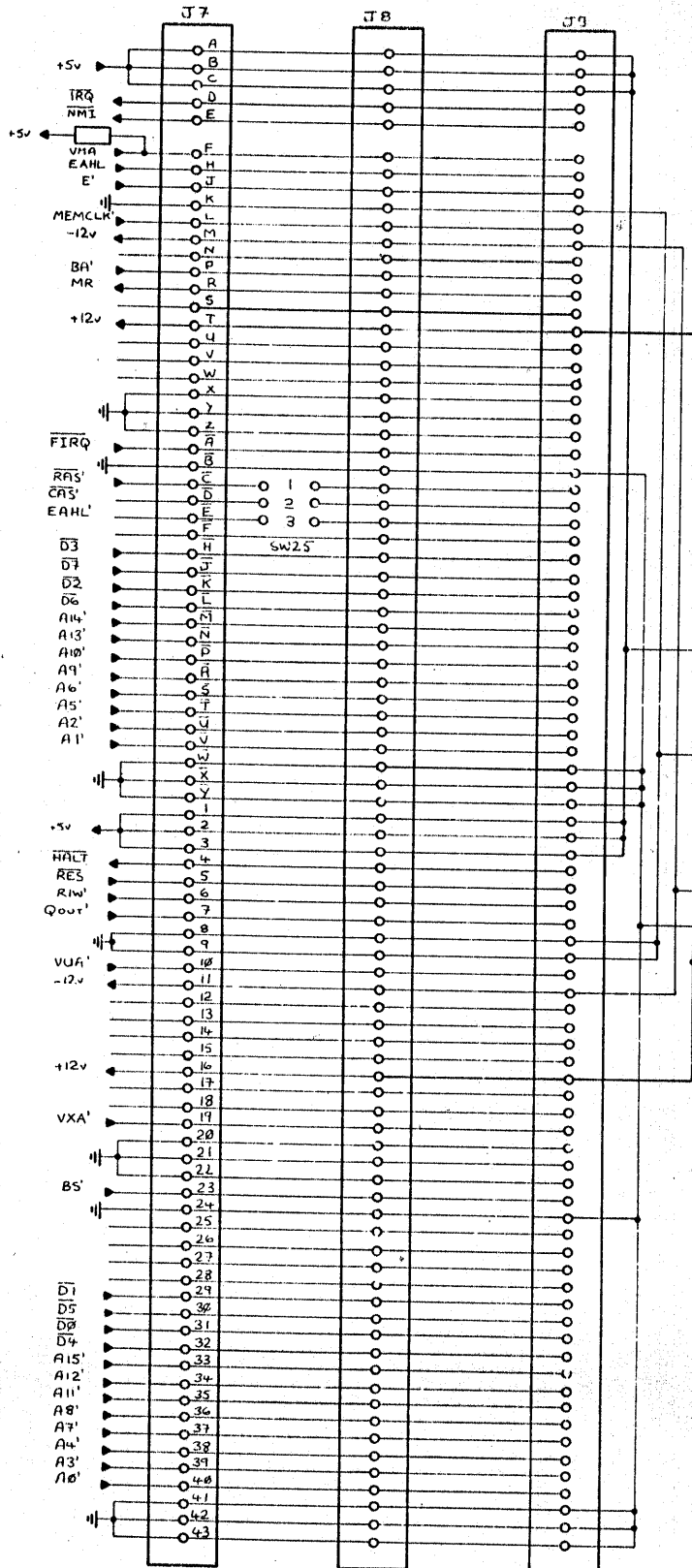
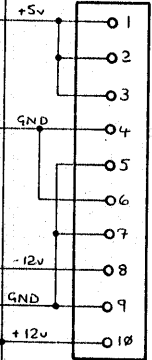
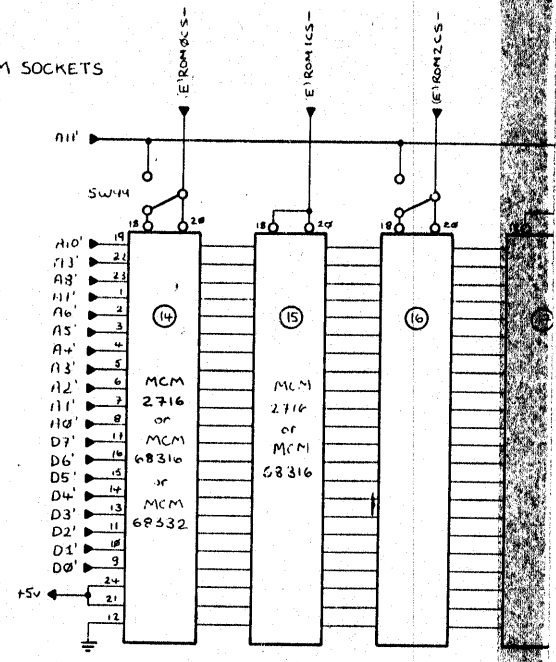


DWG No 63 EW 121 5X		<b>MOTOROLA</b> microsystems
DRAWN BY <b>ANIMAT</b>	DATE 3/10/79	
		SHEET 1 OF 3

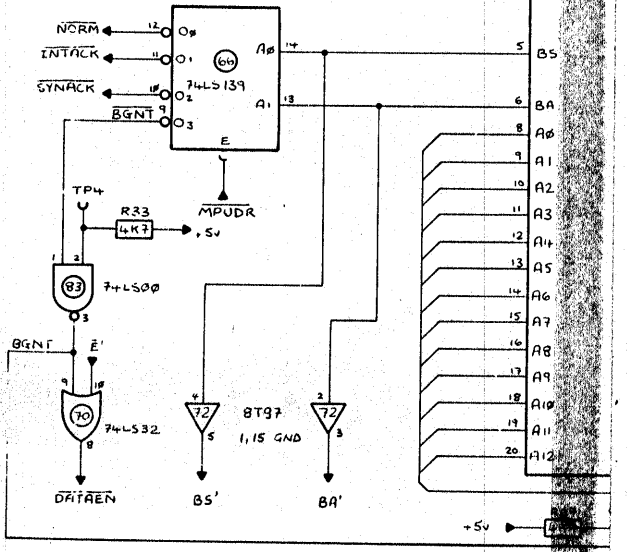
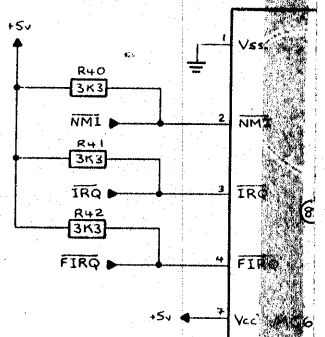


EXPANSION CONNECTORS

(E)ROM SOCKETS



POWER CONNECTOR J11



+5v