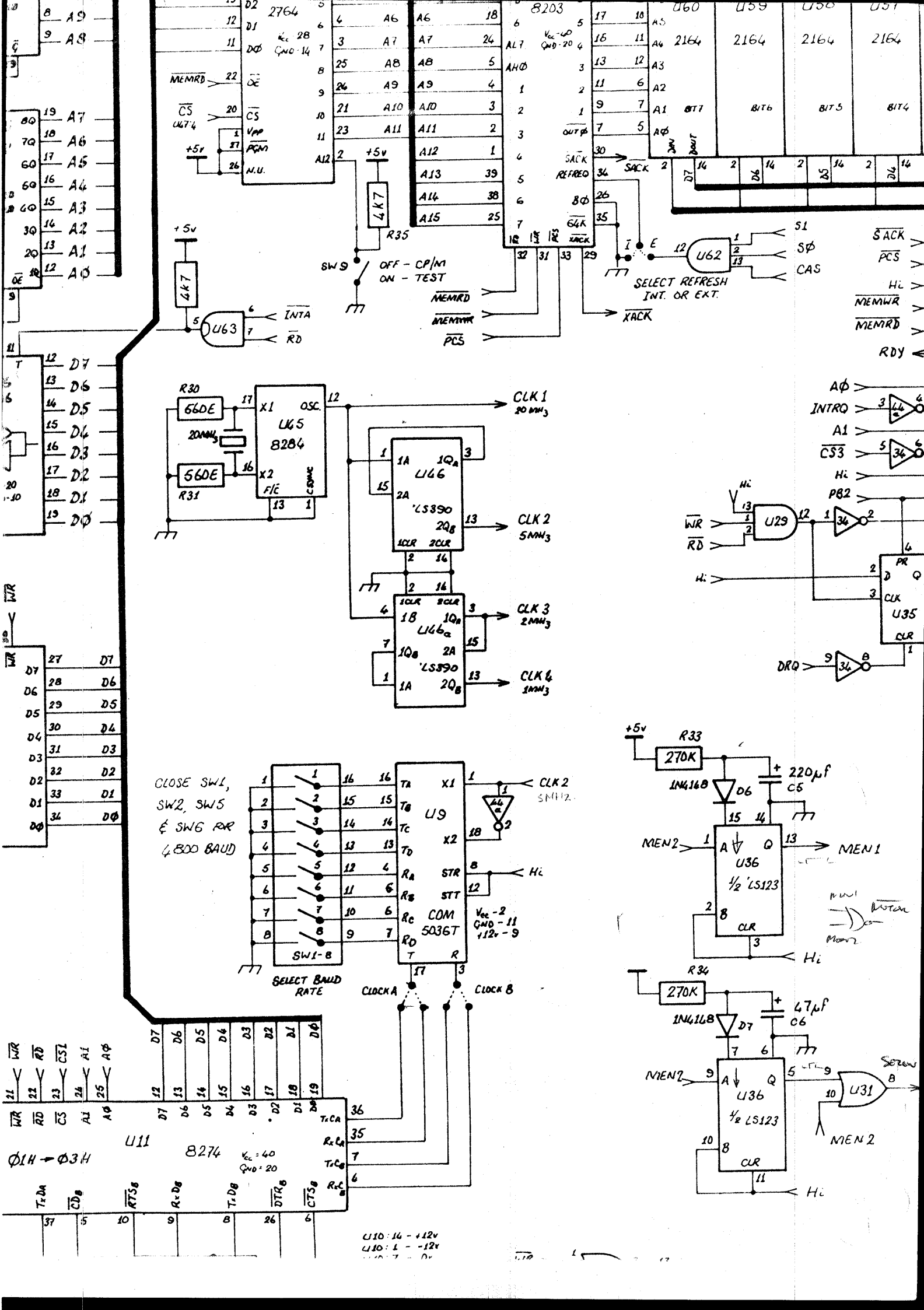
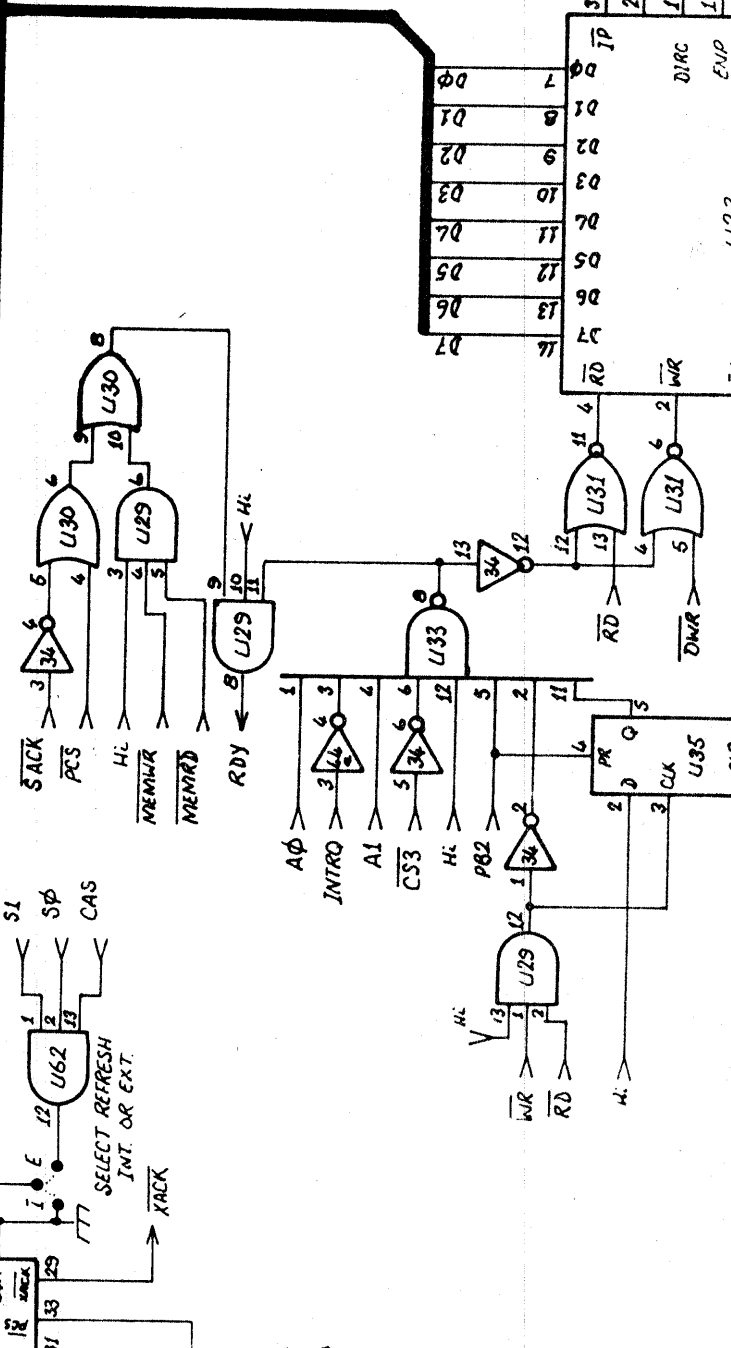
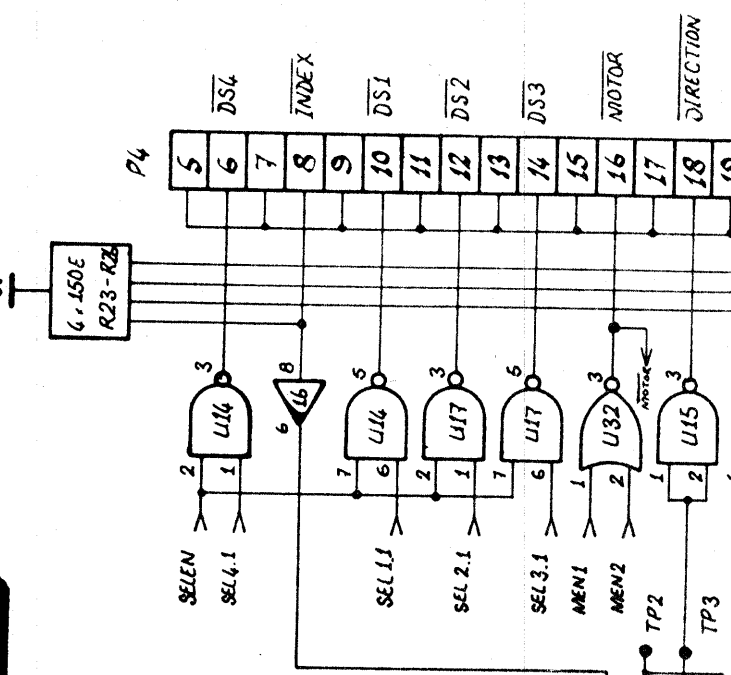
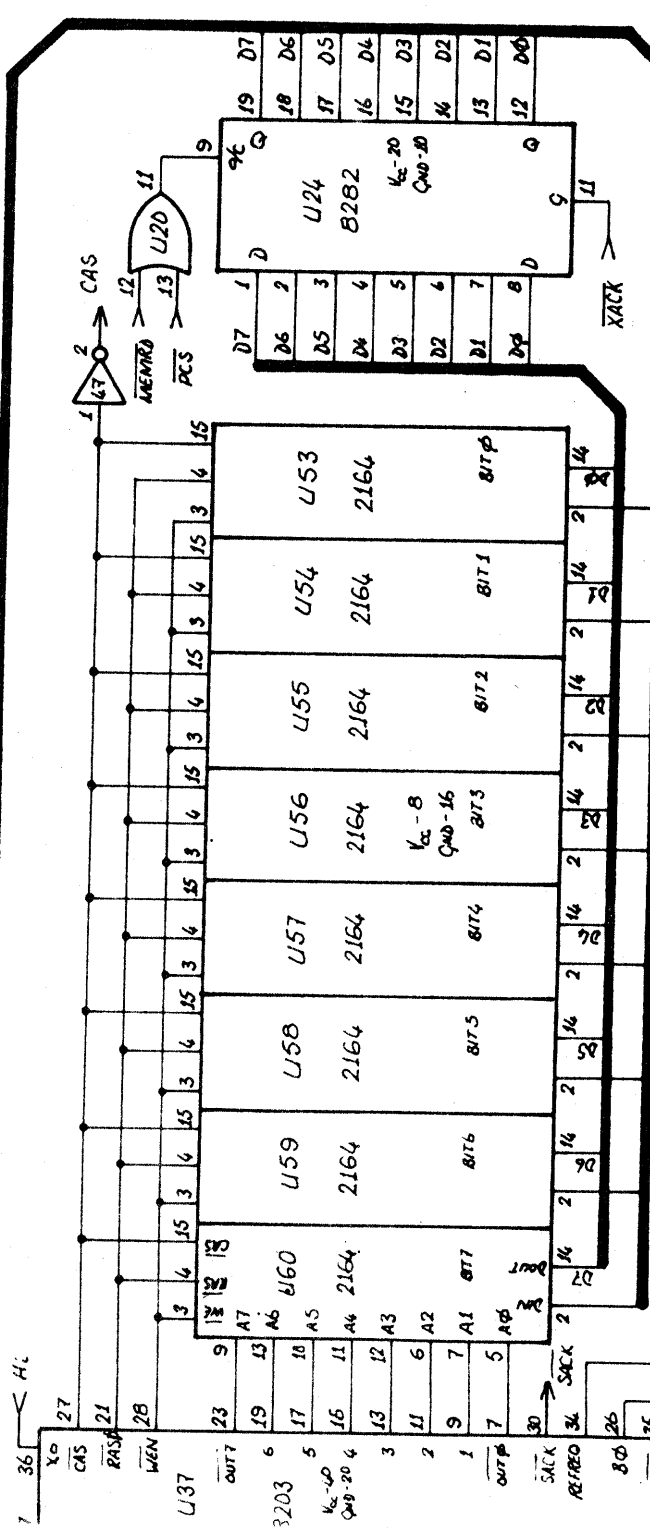
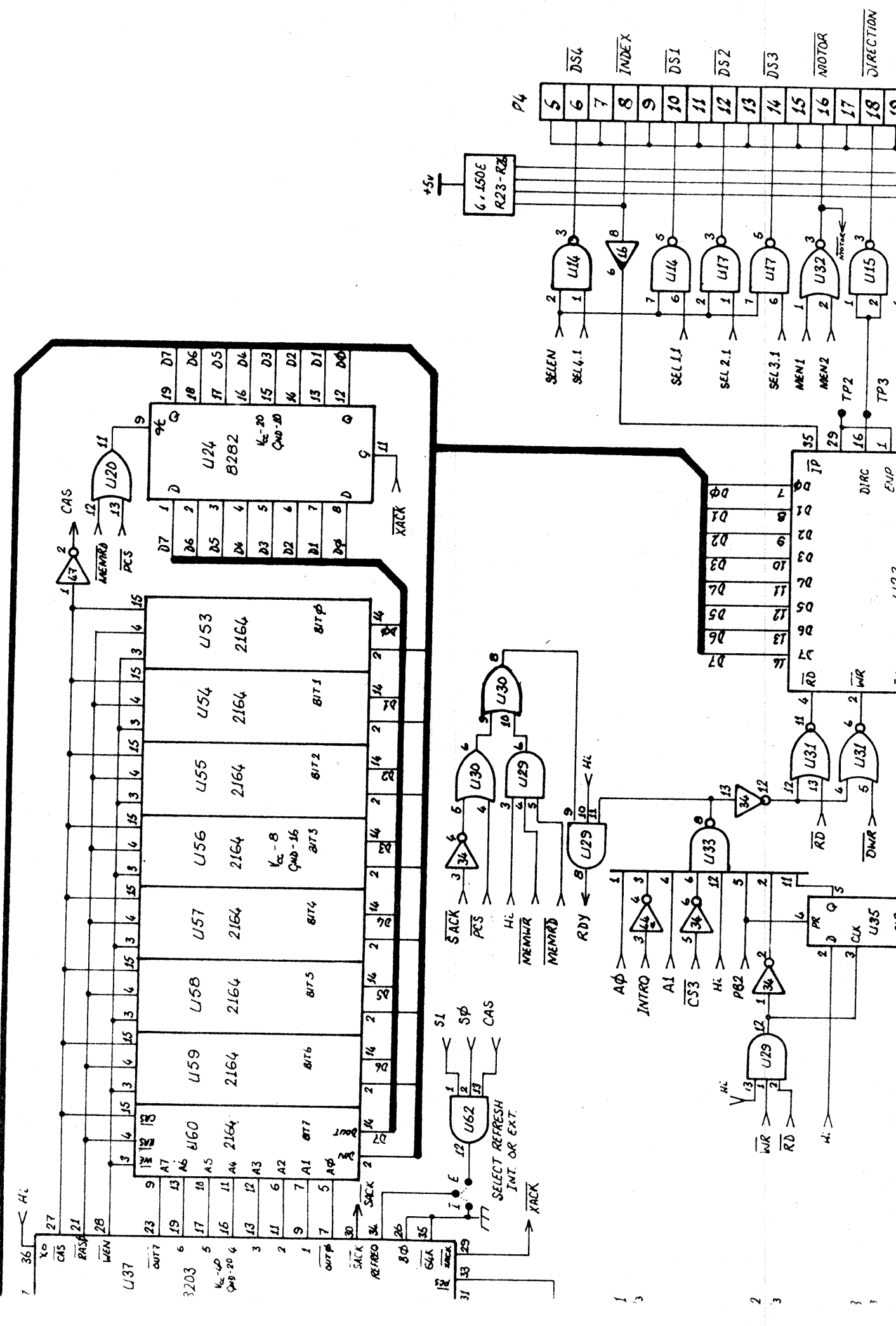
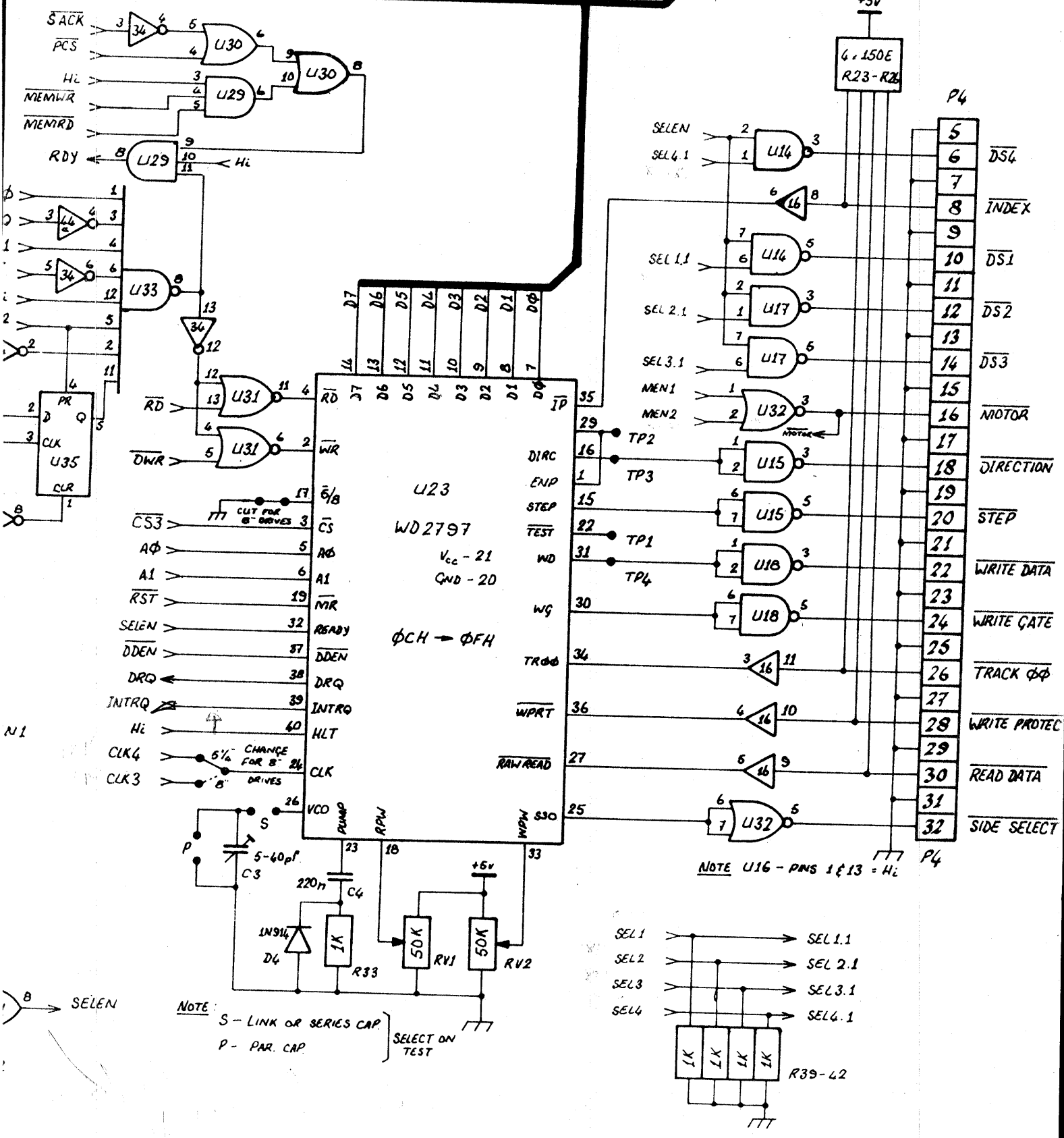
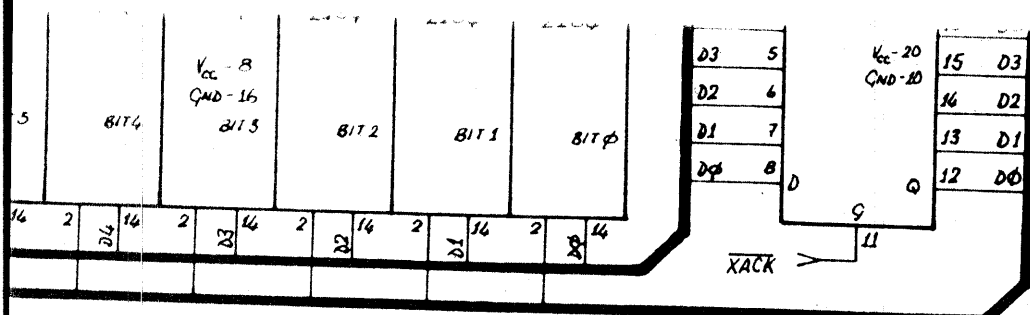


CLOSE SW1,
SW2, SW5
E SW6 FOR
4800 BAUD





- 1
- 3
- 2
- 3
- 3



NOTE: S - LINK OR SERIES CAP.
 P - PAR. CAP.
 SELECT ON TEST

NOTE U16 - PINS 1 & 13 = Hi

