

Figure 3a: This section of the printer buffer schematic shows these components of the printer buffer: the clock, the central processing unit, the EPROM, and the multiplexers. This is the control circuitry for the buffer.

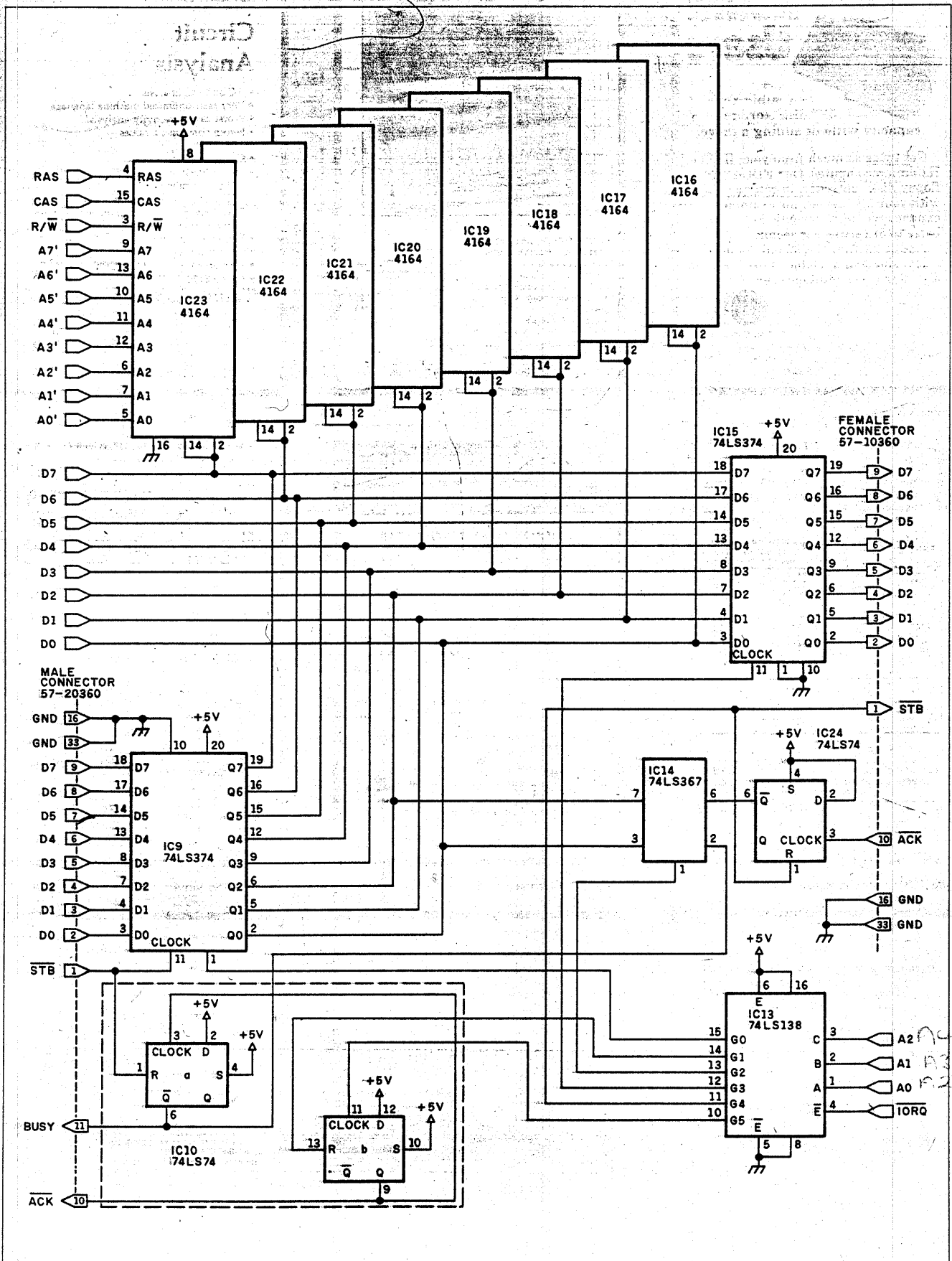


Figure 3b: This section details: the decoder, the RAM, the data latches, and the connectors for the buffer's I/O.