

# Enhanced programmable communications interface (EPCI)

## SCN2661/SCN68661

### DESCRIPTION

The Philips Semiconductors SCN2661 EPCI is a universal synchronous/asynchronous data communications controller chip that is an enhanced version of the SCN2651. It interfaces easily to all 8-bit and 16-bit microprocessors and may be used in a polled or interrupt driven system environment. The SCN2661 accepts programmed instructions from the microprocessor while supporting many serial data communications disciplines — synchronous and asynchronous — in the full- or half-duplex mode. Special support for BISYNC is provided.

The EPCI serializes parallel data characters received from the microprocessor for transmission. Simultaneously, it can receive serial data and convert it into parallel data characters for input to the microcomputer.

The SCN2661 contains a baud rate generator which can be programmed to either accept an external clock or to generate internal transmit or receive clocks. Sixteen different baud rates can be selected under program control when operating in the internal clock mode. Each version of the EPCI (A, B, C) has a different set of baud rates.

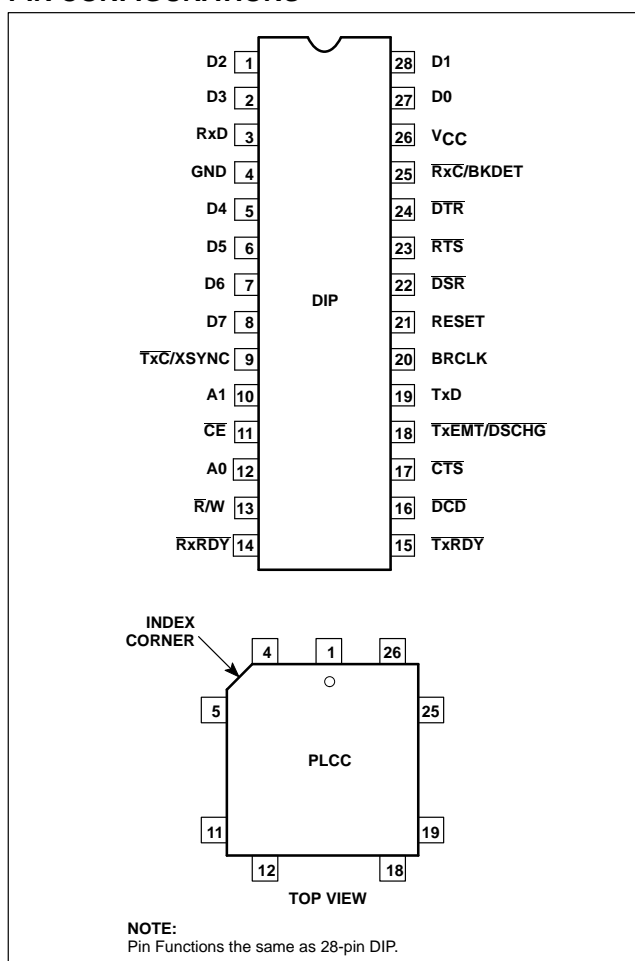
### FEATURES

- Synchronous operation
  - 5- to 8-bit characters plus parity
  - Single or double SYN operation
  - Internal or external character synchronization
  - Transparent or non-transparent mode
  - Transparent mode DLE stuffing (Tx) and detection (Rx)
  - Automatic SYN or DLE-SYN insertion SYN, DLE and DLESYN stripping
  - Odd, even, or no parity
  - Local or remote maintenance loopback mode
  - Baud rate: DC to 1Mbps (1X clock)
- Asynchronous operation
  - 5- to 8-bit characters plus parity
  - 1, 1-1/2 or 2 stop bits transmitted
  - Odd, even, or no parity
  - Parity, overrun and framing error detection
  - Line break detection and generation
  - False start bit detection
  - Automatic serial echo mode (echoplex)
  - Local or remote maintenance loopback mode
  - Baud rate: DC to 1Mbps
    - (1X clock)
    - DC to 62.5kbps (16X clock)
    - DC to 15.625kbps (64X clock)

### OTHER FEATURES

- Internal or external baud rate clock
- 3 baud rate sets
- 16 internal rates for each set
- Double-buffered transmitter and receiver

### PIN CONFIGURATIONS



SD00077

- Dynamic character length switching
- Full- or half-duplex operation
- TTL compatible inputs and outputs
- RxC and TxC pins are short-circuit protected
- Single +5V power supply
- No system clock required

### APPLICATIONS

- Intelligent terminals
- Network processors
- Front-end processors
- Remote data concentrators
- Computer-to-computer links
- Serial peripherals
- BISYNC adaptors

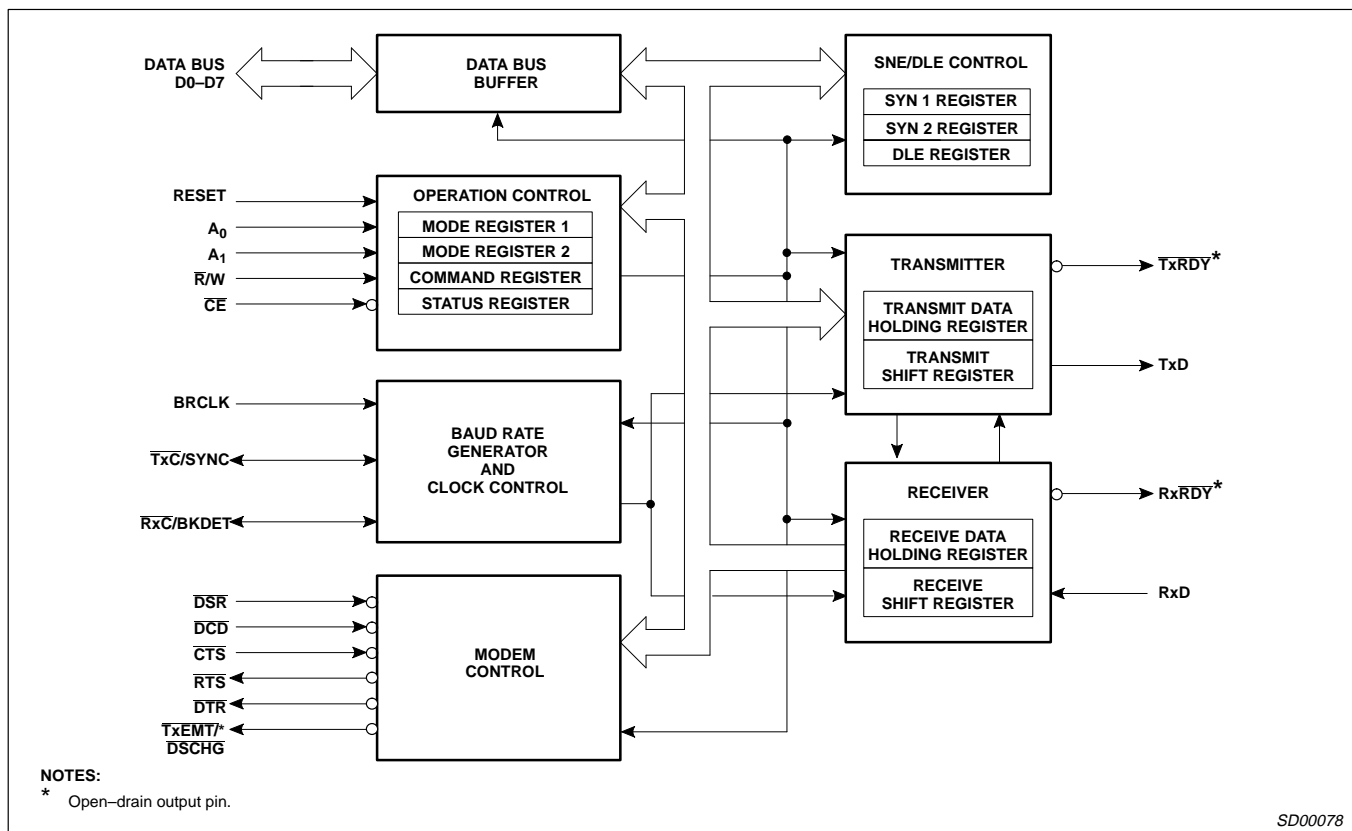
# Enhanced programmable communications interface (EPCI)

SCN2661/SCN68661

## ORDERING CODE

PACKAGES	V <sub>CC</sub> = +5V ±5%		DWG #
	Commercial 0°C to +70°C	Industrial -40°C to +85°C	
28-Pin Ceramic Dual In-Line Package (cerdip) 0.6" Wide	SCN2661BC1F28 SCN2661CC1F28	SCN2661BA1F28 SCN2661CA1F28	0589B
28-Pin Plastic Dual In-Line Package (DIP) 0.6" Wide	SCN2661AC1N28 SCN2661BC1N28 SCN2661CC1N28	Contact Factory	SOT117-2
28-Pin Plastic Lead Chip Carrier (PLCC)	SCN2661AC1A28 SCN2661BC1A28 SCN2661CC1A28	Contact Factory	SOT261-3

## BLOCK DIAGRAM



## ABSOLUTE MAXIMUM RATINGS<sup>1</sup>

SYMBOL	PARAMETER	RATING	UNIT
T <sub>A</sub>	Operating ambient temperature <sup>2</sup>	Note 4	°C
T <sub>STG</sub>	Storage temperature	-65 to +150	°C
	All voltages with respect to ground <sup>3</sup>	-0.5 to +6.0	V

### NOTES:

- Stresses above those listed under Absolute Maximum Ratings may cause permanent damage to the device. This is a stress rating only and functional operation of the device at these or at any other condition above those indicated in the operation section of this specification is not implied.
- For operating at elevated temperatures, the device must be derated based on +150°C maximum function temperature.
- This product includes circuitry specifically designed for the protection of its internal devices from the damaging effect of excessive static charge. Nonetheless, it is suggested that conventional precautions be taken to avoid applying any voltages larger than the rated maxima.
- Over recommended free-air operating temperature range and supply voltage range unless otherwise specified. For conditions shown as MIN or MAX, use the appropriate value specified under recommended operating conditions.

# Enhanced programmable communications interface (EPCI)

SCN2661/SCN68661

## DC ELECTRICAL CHARACTERISTICS<sup>1, 2, 3</sup>

SYMBOL	PARAMETER	TEST CONDITIONS	LIMITS			UNIT
			Min	Typ	Max	
<b>Input voltage</b>						
V <sub>IL</sub> V <sub>IH</sub>	Low High		2.0		0.8	V V
<b>Output voltage</b>						
V <sub>OL</sub> V <sub>OH</sub> <sup>4</sup>	Low High	I <sub>OL</sub> = 2.2mA I <sub>OH</sub> = -400µA	2.4		0.4	V V
I <sub>IL</sub>	Input leakage current	V <sub>IN</sub> = 0 to 5.5V			10	µA
<b>3-State output leakage current</b>						
I <sub>LH</sub> I <sub>LL</sub>	Data bus high Data bus low	V <sub>O</sub> = 4.0V V <sub>O</sub> = 0.45V			10 10	µA µA
I <sub>CC</sub>	Power supply current				150	mA

### NOTES:

- Over recommended free-air operating temperature range and supply voltage range unless otherwise specified. For conditions shown as MIN or MAX, use the appropriate value specified under recommended operating conditions.
- All voltages measurements are referenced to ground. All time measurements are at the 50% level for inputs (except t<sub>BRH</sub> and t<sub>BRL</sub>) and at 0.8V and 2.0V for outputs. Input levels swing between 0.4V and 2.4V, with a transition time of ≤ 20ns maximum.
- Typical values are at +25°C, typical supply voltages and typical processing parameters.
- INTR, TxRDY, RxRDY and TxEMT/DSCHG outputs are open-drain.

## CAPACITANCE T<sub>A</sub> = 25°C, V<sub>CC</sub> = 0V

SYMBOL	PARAMETER	TEST CONDITIONS	LIMITS			UNIT
			Min	Typ	Max	
<b>Capacitance</b>						
C <sub>IN</sub> C <sub>OUT</sub> C <sub>I/O</sub>	Input Output Input/Output	f <sub>C</sub> = 1MHz Unmeasured pins tied to ground			20 20 20	pF pF pF

# Enhanced programmable communications interface (EPCI)

SCN2661/SCN68661

## AC ELECTRICAL CHARACTERISTICS<sup>1, 2, 3</sup>

SYMBOL	PARAMETER	TEST CONDITIONS	LIMITS			UNIT
			Min	Typ	Max	
<b>Pulse width</b>						
t <sub>RES</sub>	Reset		1000			ns
t <sub>CE</sub>	Chip enable		250			ns
<b>Setup and hold time</b>						
t <sub>AS</sub>	Address setup		10			ns
t <sub>AH</sub>	Address hold		10			ns
t <sub>CS</sub>	R/W control setup		10			ns
t <sub>CH</sub>	R/W control hold		10			ns
t <sub>DS</sub>	Data setup for write		150			ns
t <sub>DH</sub>	Data hold for write		10			ns
t <sub>RXS</sub>	RX data setup		300			ns
t <sub>RXH</sub>	RX data hold		350			ns
t <sub>DD</sub> <sup>7</sup>	Data delay time for read	C <sub>L</sub> = 150pF			200	ns
t <sub>DF</sub> <sup>7</sup>	Data bus floating time for read	C <sub>L</sub> = 150pF			100	ns
t <sub>CED</sub>	CE to CE delay		600			ns
<b>Input clock frequency</b>						
f <sub>BRG</sub>	Baud rate generator (2661A, B)		1.0	4.9152	4.9202	MHz
f <sub>BRG</sub>	Baud rate generator (2661C)		1.0	5.0688	5.0738	MHz
f <sub>R/T</sub> <sup>6</sup>	TxC or RxC		dc		1.0	MHz
<b>Clock width</b>						
t <sub>BRH</sub> <sup>5</sup>	Baud rate High (2661A, B)		75			ns
t <sub>BRH</sub> <sup>5</sup>	Baud rate High (2661C)		70			ns
t <sub>BRL</sub> <sup>5</sup>	Baud rate Low (2661A, B)		75			ns
t <sub>BRL</sub> <sup>5</sup>	Baud rate Low (2661C)		70			ns
t <sub>R/TH</sub>	TxC or RxC High		480			ns
t <sub>R/TL</sub> <sup>6</sup>	TxC or RxC Low		480			ns
t <sub>TxD</sub>	TxD delay from falling edge of TxC	C <sub>L</sub> = 150pF			650	ns
t <sub>TCS</sub>	Skew between TxD changing and falling edge of TxC output <sup>4</sup>	C <sub>L</sub> = 150pF		0		ns

### NOTES:

- Over recommended free-air operating temperature range and supply voltage range unless otherwise specified. For conditions shown as MIN or MAX, use the appropriate value specified under recommended operating conditions.
- All voltages measurements are referenced to ground. All time measurements are at the 50% level for inputs (except t<sub>BRH</sub> and t<sub>BRL</sub>) and at 0.8V and 2.0V for outputs. Input levels swing between 0.4V and 2.4V, with a transition time of ≤ 20ns maximum.
- Typical values are at +25°C, typical supply voltages and typical processing parameters.
- Parameter applies when internal transmitter clock is used.
- Under test conditions of 5.0688MHz f<sub>BRG</sub> (68661) and 4.9152MHz f<sub>BRG</sub> (68661A, B), t<sub>BRH</sub> and t<sub>BRL</sub> measured at V<sub>IH</sub> and V<sub>IL</sub>, respectively.
- In asynchronous local loopback mode, using 1X clock, the following parameters apply: f<sub>R/T</sub> = 0.83MHz max and t<sub>R/TL</sub> = 700ns min.
- See AC load conditions.

## BLOCK DIAGRAM

The EPCI consists of six major sections. These are the transmitter, receiver, timing, operation control, modem control and SYN/DLE control. These sections communicate with each other via an internal data bus and an internal control bus. The internal data bus interfaces to the microprocessor data bus via a data bus buffer.

## Operation Control

This functional block stores configuration and operation commands from the CPU and generates appropriate signals to various internal sections to control the overall device operation. It contains read and write circuits to permit communications with the microprocessor via the data bus and contains mode registers 1 and 2, the command register, and the status register. Details of register addressing and protocol are presented in the EPCI programming section of this data sheet.

## Timing

The EPCI contains a Baud Rate Generator (BRG) which is programmable to accept external transmit or receive clocks or to divide an external clock to perform data communications. The unit can generate 16 commonly used baud rates, any one of which can be selected for full-duplex operation. See Table 1.

## Receiver

The receiver accepts serial data on the RxD pin, converts this serial input to parallel format, checks for bits or characters that are unique to the communication technique and sends an "assembled" character to the CPU.

## Transmitter

The transmitter accepts parallel data from the CPU, converts it to a serial bit stream, inserts the appropriate characters or bits (based on

# Enhanced programmable communications interface (EPCI)

SCN2661/SCN68661

the communication technique) and outputs a composite serial stream of data on the TxD output pin.

### Modem Control

The modem control section provides interfacing for three input signals and three output signals used for "handshaking" and status indication between the CPU and a modem.

### SYN/DLE Control

This section contains control circuitry and three 8-bit registers storing the SYN1, SYN2, and DLE characters provided by the CPU. These registers are used in the synchronous mode of operation to provide the characters required for synchronization, idle fill and data transparency.

**Table 1. Baud Rate Generator Characteristics**

**68661A (BRCLK = 4.9152MHz)**

MR23-20	BAUD RATE	ACTUAL FREQUENCY 16X CLOCK	PERCENT ERROR	DIVISOR
0000	50	0.8kHz	—	6144
0001	75	1.2	—	4096
0010	110	1.7598	-0.01	2793
0011	134.5	2.152	—	2284
0100	150	2.4	—	2048
0101	200	3.2	—	1536
0110	300	4.8	—	1024
0111	600	9.6	—	512
1000	1050	16.8329	0.196	292
1001	1200	19.2	—	256
1010	1800	28.7438	-0.19	171
1011	2000	31.9168	-0.26	154
1100	2400	38.4	—	128
1101	4800	76.8	—	64
1110	9600	153.6	—	32
1111	19200	307.2	—	16

**68661B (BRCLK = 4.9152MHz)**

MR23-20	BAUD RATE	ACTUAL FREQUENCY 16X CLOCK	PERCENT ERROR	DIVISOR
0000	45.5	0.7279kHz	0.005	6752
0001	50	0.8	—	6144
0010	75	1.2	—	4096
0011	110	1.7598	-0.01	2793
0100	134.5	2.152	—	2284
0101	150	2.4	—	2048
0110	300	4.8	—	1024
0111	600	9.6	—	512
1000	1200	19.2	—	256
1001	1800	28.7438	-0.19	171
1010	2000	31.9168	-0.26	154
1011	2400	38.4	—	128
1100	4800	76.8	—	64
1101	9600	153.6	—	32
1110	19200	307.2	—	16
1111	38400	614.4	—	8

# Enhanced programmable communications interface (EPCI)

SCN2661/SCN68661

## 68661C (BRCLK = 5.0688MHz)

MR23–20	BAUD RATE	ACTUAL FREQUENCY 16X CLOCK	PERCENT ERROR	DIVISOR
0000	50	0.8kHz	—	6336
0001	75	1.2	—	4224
0010	110	1.76	—	2880
0011	134.5	2.1523	0.016	2355
0100	150	2.4	—	2112
0101	300	4.8	—	1056
0110	600	9.6	—	528
0111	1200	19.2	—	264
1000	1800	28.8	—	176
1001	2000	32.081	0.253	158
1010	2400	38.4	—	132
1011	3600	57.6	—	88
1100	4800	76.8	—	66
1101	7200	115.2	—	44
1110	9600	153.6	—	33
1111	19200	316.8	3.125	16

**NOTE:** 16X clock is used in asynchronous mode. In synchronous mode, clock multiplier is 1X and BRG can be used only for TxC.

## OPERATION

The functional operation of the 68661 is programmed by a set of control words supplied by the CPU. These control words specify items such as synchronous or asynchronous mode, baud rate, number of bits per character, etc. The programming procedure is described in the EPCI programming section of the data sheet.

After programming, the EPCI is ready to perform the desired communications functions. The receiver performs serial to parallel conversion of data received from a modem or equivalent device. The transmitter converts parallel data received from the CPU to a serial bit stream. These actions are accomplished within the framework specified by the control words.

## Receiver

The 68661 is conditioned to receiver data when the  $\overline{\text{DCD}}$  input is Low and the RxEN bit in the commands register is true. In the asynchronous mode, the receiver looks for High-to-Low (mark to space) transition of the start bit on the RxD input line. If a transition is detected, the state of the RxD line is sampled again after a delay of one-half of a bit-time. If RxD is now high, the search for a valid start bit is begun again. If RxD is still Low, a valid start bit is assumed and the receiver continues to sample the input line at one bit time intervals until the proper number of data bits, the parity bit, and one stop bit have been assembled. The data are then transferred to the receive data holding register, the RxRDY bit in the status register is set, and the RxRDY output is asserted. If the character length is less than 8 bits, the High order unused bits in the holding register are set to zero. The parity error, framing error, and overrun error status bits are strobed into the status register on the positive going edge of  $\overline{\text{RxC}}$  corresponding to the received character boundary. If the stop bit is present, the receiver will immediately begin its search for the next start bit. If the stop bit is absent (framing error), the receiver will interpret a space as a start bit if it persists into the next bit timer interval. If a break condition is detected (RxD is Low for the entire character as well as the stop bit), only one character consisting of all zeros (with the FE status bit SR5 set) will be transferred to the holding register. The RxD input must return to a High condition before a search for the next start bit begins.

Pin 25 can be programmed to be a break detect output by appropriate setting of MR27-MR24. If so, a detected break will cause that pin to go High. When RxD returns to mark for one RxC time, pin 25 will go low. Refer to the Break Detection Timing Diagram.

When the EPCI is initialized into the synchronous mode, the receiver first enters the hunt mode on a 0 to 1 transition of RxEN (CR2). In this mode, as data are shifted into the receiver shift register a bit at a time, the contents of the register are compared to the contents of the SYN1 register. If the two are not equal, the next bit is shifted in and the comparison is repeated. When the two registers match, the hunt mode is terminated and character assembly mode begins. If single SYN operation is programmed, the SYN DETECT status bit is set. If double SYN operation is programmed, the first character assembled after SYN1 must be SYN2 in order for the SYN DETECT bit to be set. Otherwise, the EPCI returns to the hunt mode. (Note that the sequence SYN1-SYN1-SYN2 will not achieve synchronization.) When synchronization has been achieved, the EPCI continues to assemble characters and transfer then to the holding register, setting the RxRDY status bit and asserting the  $\overline{\text{RxRDY}}$  output each time a character is transferred. The PE and OE status bits are set as appropriate. Further receipt of the appropriate SYN sequence sets the SYN DETECT status bit. If the SYN stripping mode is commanded, SYN characters are not transferred to the holding register. Note that the SYN characters used to establish initial synchronization are not transferred to the holding register in any case.

External jam synchronization can be achieved via pin 9 by appropriate setting of MR27-MR24. When pin 9 is an XSYNC input, the internal SYN1, SYN1-SYN2, and DLE-SYN1 detection is disabled. Each positive going signal on XSYNC will cause the receiver to establish synchronization on the rising edge of the next RxC pulse. Character assembly will start with the RxD input at this edge. XSYNC may be lowered on the next rising edge of RxD. This external synchronization will cause the SYN DETECT status bit to be set until the status register is read. Refer to XSYNC timing diagram.

# Enhanced programmable communications interface (EPCI)

SCN2661/SCN68661

**Table 2. CPU-Related Signals**

PIN NAME	PIN NO.	INPUT/OUTPUT	FUNCTION
RESET	21	I	A High on this input performs a master reset on the 68661. This signal asynchronously terminates any device activity and clears the mode, command and status registers. The device assumes the idle state and remains there until initialized with the appropriate control words.
A0, A1	12,10	I	Address lines used to select internal EPCI registers.
$\overline{R/W}$	13	I	Read command when Low, write command when High.
$\overline{CE}$	11	I	Chip enable command. When Low, indicates that control and data lines to the EPCI are valid and that the operation specified by the $\overline{R/W}$ , A1 and A0 inputs should be performed. When High, places the D0–D7 lines in the 3-State condition.
D0–D7	27,28,1,2,5–8	I/O	8-bit, 3-State data bus used to transfer commands, data and status between EPCI and the CPU. D0 is the least significant bit, D7 the most significant bit.
$\overline{TxRDY}$	15	O	This output is the complement of status register bit SR0. When Low, it indicates that the transmit data holding register (THR) is ready to accept a data character from the CPU. It goes High when the data character is loaded. This output is valid only when the transmitter is enabled. It is an open-drain output which can be used as an interrupt to the CPU.
$\overline{RxRDY}$	14	O	This output is the complement of status register bit SR1. When Low, it indicates that the receive data holding register (RHR) has a character ready for input to the CPU. It goes High when the RHR is read by the CPU, and also when the receiver is disabled. It is an open-drain output which can be used as an interrupt to the CPU.
$\overline{TxEMT/DSCHG}$	18	O	This output is the complement of status register bit SR2. When Low, it indicates that the transmitter has completed serialization of the last character loaded by the CPU, or that a change of state of the $\overline{DSR}$ or $\overline{DCD}$ inputs has occurred. This output goes High when the status register is ready by the CPU, if the TxEMT condition does not exist. Otherwise, the THR must be loaded by the CPU for this line to go high. It is an open-drain output which can be used as an interrupt to the CPU. See Status Register (SR2) for details.

**Table 3. Device-Related Signals**

PIN NAME	PIN NO.	INPUT/OUTPUT	FUNCTION
BRCLK	20	I	Clock input to the internal baud rate generator (see Table 1). Not required if external receiver and transmitter clocks are used.
$\overline{RxC}/BKDET$	25	I/O	Receiver clock. If external receiver clock is programmed, this input controls the rate at which the character is to be received. Its frequency is 1X, 16X or 64X the baud rate, as programmed by mode register 1. Data are sampled on the rising edge of the clock. If internal receiver clock is programmed, this pin can be a 1X/16X clock or a break detect output pin.
$\overline{TxC}/XSYNC$	9	I/O	Transmitter clock. If external transmitter clock is programmed, this input controls the rate at which the character is transmitted. Its frequency is 1X, 16X or 64X the baud rate, as programmed by mode register 1. The transmitted data changes on the falling edge of the clock. If internal transmitter clock is programmed, this pin can be a 1X/16X clock output or an external jam synchronization input.
RxD	3	I	Serial data input to the receiver. "Mark" is High, "space" is Low.
TxD	19	O	Serial data output from the transmitter. "Mark" is High, "Space" is Low. Held in mark condition when the transmitter is disabled.
$\overline{DSR}$	22	I	General purpose input which can be used for data set ready or ring indicator condition. Its complement appears as status register bit SR7. Causes a Low output on $\overline{TxEMT/DSCHG}$ when its state changes if CR2 or CR0 = 1.
$\overline{DCD}$	16	I	Data carrier detect input. Must be Low in order for the receiver to operate. Its complement appears as status register bit SR6. Causes a Low output on $\overline{TxEMT/DSCHG}$ when its state changes if CR2 or CR0 = 1. If $\overline{DCD}$ goes High while receiving, the RxC is internally inhibited.
$\overline{CTS}$	17	I	Clear to send input. Must be Low in order for the transmitter to operate. If it goes High during transmission, the character in the transmit shift register will be transmitted before termination.
$\overline{DTR}$	24	O	General purpose output which is the complement of command register bit CR1. Normally used to indicate data terminal ready.
$\overline{RTS}$	23	O	General purpose output which is the complement of command register bit CR5. Normally used to indicate request to send. See Command Register (CR5) for details.

## Enhanced programmable communications interface (EPCI)

SCN2661/SCN68661

### Transmitter

The EPCI is conditioned to transmit data when the  $\overline{\text{CTS}}$  input is Low and the TxEN command register bit is set. The 68661 indicates to the CPU that it can accept a character for transmission by setting the TxRDY status bit and asserting the TxRDY output. When the CPU writes a character into the transmit data holding register, these conditions are negated. Data are transferred from the holding register to the transmit shift register when it is idle or has completed transmission of the previous character. The TxRDY conditions are then asserted again. Thus, one full character time of buffering is provided.

In the asynchronous mode, the transmitter automatically sends a start bit followed by the programmed number of data bits, the least significant bit being sent first. It then appends an optional odd or even parity bit and the programmed number of stop bits. If, following transmission of the data bits, a new character is not available in the transmit holding register, the TxD output remains in the marking (High) condition and the TxEMT/DSCHG output and its corresponding status bit are asserted. Transmission resumes when the CPU loads a new character into the holding register. The transmitter can be forced to output a continuous Low (BREAK) condition by setting the send break command bit (CR3) High.

In the synchronous mode, when the 68661 is initially conditioned to transmit, the TxD output remains High and the TxRDY condition is asserted until the first character to be transmitted (usually a SYN character) is loaded by the CPU. Subsequent to this, a continuous stream of characters is transmitted. No extra bits (other than parity, if commanded) are generated by the EPCI unless the CPU fails to send a new character to the EPCI by the time the transmitter has completed sending the previous character. Since synchronous communication does not allow gaps between characters, the EPCI asserts TxEMT and automatically "fills" the gap by transmitting SYN1s, SYN1–SYN2 doublets, or DLE–SYN1 doubles, depending on the state of MR16 and MR17. Normal transmission of the message resumes when a new character is available in the transmit data holding register. If the send DLE bit in the commands register is true, the DLE character is automatically transmitted prior to transmission of the message character in the THR.

### EPCI PROGRAMMING

Prior to initiating data communications, the 68661 operational mode must be programmed by performing write operations to the mode and command registers. In addition, if synchronous operation is programmed, the appropriate SYN/DLE registers must be loaded. The EPCI can be reconfigured at any time during program execution. A flowchart of the initialization process appears in Figure 1.

The internal registers of the EPCI are accessed by applying specific signals to the  $\overline{\text{CE}}$ ,  $\overline{\text{R/W}}$ , A1 and A0 inputs. The conditions necessary to address each register are shown in Table 4.

The SYN1, SYN2, and DLE registers are accessed by performing write operations with the conditions A1 = 0, A0 = 1, and  $\overline{\text{R/W}} = 1$ . The first operation loads the SYN1 register. The next loads the DLE register. Reading or loading the mode registers is done in a similar manner. The first write (or read) operation addresses mode register

1, and a subsequent operation addresses mode register 2. If more than the required number of accesses are made, the internal sequencer recycles to point at the first register. The pointers are reset to SYN1 register and mode register 1 by a RESET input or by performing a read command register operation, but are unaffected by any other read or write operation.

The 68661 register formats are summarized in Tables 5, 6, 7 and 8. Mode registers 1 and 2 define the general operational characteristics of the EPCI, while the command register controls the operation within this basic framework. The EPCI indicates its status in the status register. These registers are cleared when a RESET input is applied.

### Mode Register 1 (MR1)

Table 5 illustrates mode register 1. Bits MR11 and MR10 select the communication format and baud rate multiplier. 00 specifies synchronous format. However, the multiplier in asynchronous format applies only if the external clock input option is selected by MR24 or MR25.

MR13 and MR12 select a character length of 5, 6, 7 or 8 bits. The character length does not include the parity bit, if programmed, and does not include the start and stop bits in asynchronous mode.

MR14 controls parity generation. If enabled, a parity bit is added to the transmitted character and the receiver performs a parity check on incoming data. MR15 selects odd or even parity when parity is enabled by MR14. In asynchronous mode, MR17 and MR16 select character framing of 1, 1.5, or 2 stop bits. (If 2X baud rate is programmed, 1.5 stop bits defaults to 1 stop bits on transmit.) In synchronous mode, MR17 controls the number of SYN characters used to establish synchronization and for character fill when the transmitter is idle. SYN1 alone is used if MR17 = 1, and SYN1–SYN2 is used when MR17 = 0. If the transparent mode is specified by MR16, DLE–SYN1 is used for character fill and SYN detect, but the normal synchronization sequence is used to establish character sync. When transmitting, a DLE character in the transmit holding register will cause a second DLE character to be transmitted. This DLE stuffing eliminates the software DLE compare and stuff on each transparent mode data character. If the send DLE command (CR3) is active when a DLE is loaded into THR, only one additional DLE will be transmitted. Also, DLE stripping and DLE detect (with MR14 = 0) are enabled.

The bits in the mode register affecting character assembly and disassembly (MR12–MR16) can be changed dynamically (during active receive/transmit operation). The character mode register affects both the transmitter and receiver; therefore in synchronous mode, changes should be made only in half-duplex mode (RxEN = 1 or TxEN = 1, but not both simultaneously = 1). In asynchronous mode, character changes should be made when RxEN and TxEN = 0 or when TxEN = 1 and the transmitter is marking in half-duplex mode (RxEN = 0).

To effect assembly/disassembly of the next received/transmitted character, MR12 – 15 must be changed within n bit times of the active going state of RxRDY/TxRDY. Transparent and non-transparent mode changes (MR16) must occur within n-1 bit times of the character to be affected when the receiver or transmitter is active. (n – smaller of the new and old character lengths.)

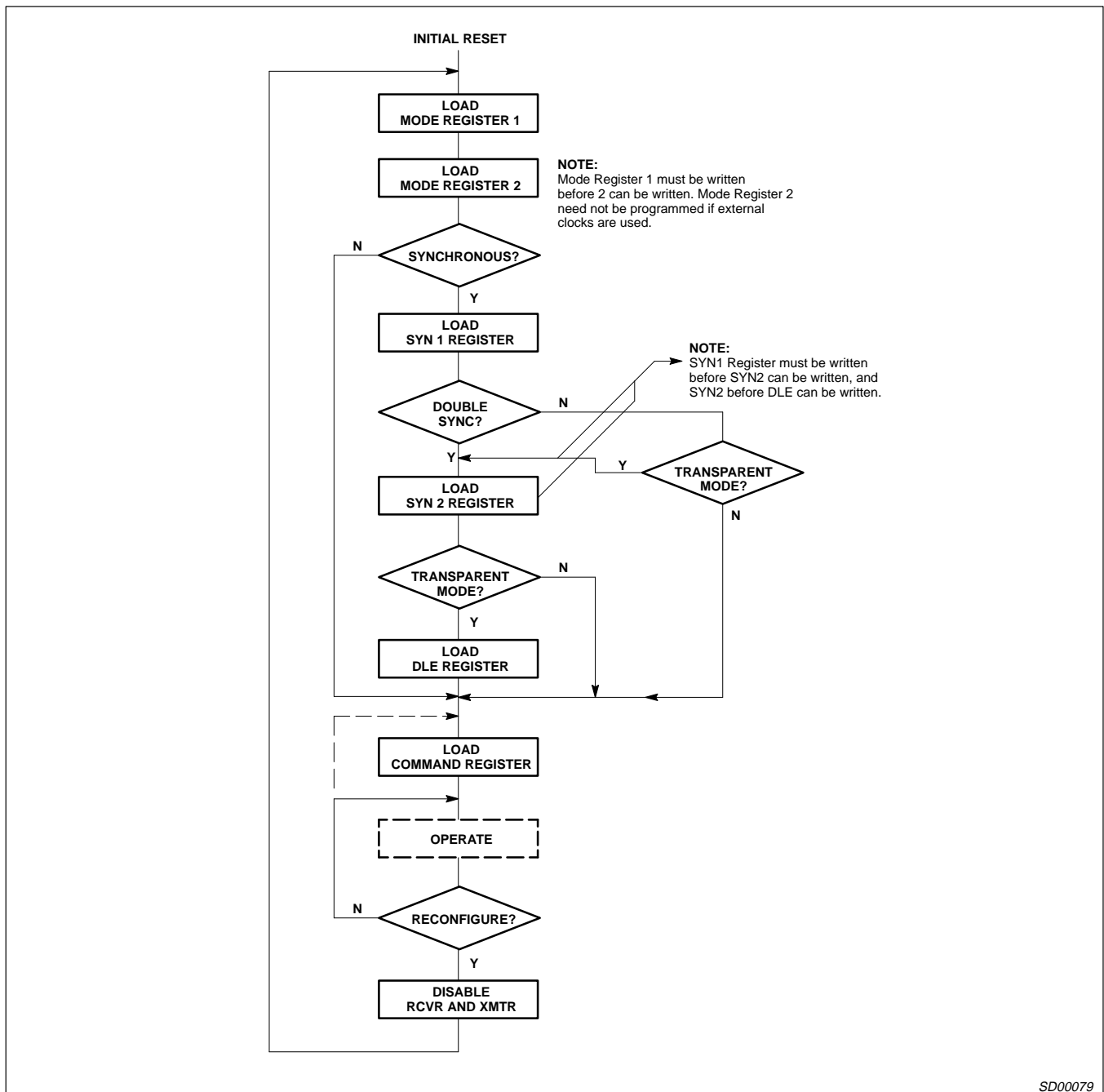


# Enhanced programmable communications interface (EPCI)

SCN2661/SCN68661

**Table 4. 68661 Register Addressing**

CE	A <sub>1</sub>	A <sub>0</sub>	R/W	FUNCTION
1	X	X	X	3-State data bus
0	0	0	0	Read receive holding register
0	0	0	1	Write transmit holding register
0	0	1	0	Read status register
0	0	1	1	Write SYN1/SYN2/DLE registers
0	1	0	0	Read mode register 1/2
0	1	0	1	Write mode register 1/2
0	1	1	0	Read command register
0	1	1	1	Write command register



SD00079

**Figure 1. 68661 Initialization Flowchart**

# Enhanced programmable communications interface (EPCI)

SCN2661/SCN68661

**Table 5. Mode Register 1 (MR1)**

MR17	MR16	MR15	MR14	MR13	MR12	MR11	MR10
Sync/Async		Parity Type	Parity Control	Character Length		Mode and Baud Rate Factor	
<b>Async: Stop bit length</b> 00 = invalid 01 = 1 stop bit 10 = 1 1/2 stop bits 11 = 2 stop bits		0 = Odd 1 = Even	0 = Disabled 1 = Enabled	00 = 5 bits 01 = 6 bits 10 = 7 bits 11 = 8 bits		00 = Synchronous 1X rate 01 = Asynchronous 1X rate 10 = Asynchronous 16X rate 11 = Asynchronous 64X rate	
<b>Sync: Number of SYN char</b> 0 = Double SYN 1 = Single SYN	<b>Sync: Transparency control</b> 0 = Normal 1 = Transparent						

**NOTE:** Baud rate factor in asynchronous applies only if external clock is selected. Factor is 16X if internal clock is selected. Mode must be selected (MR11, MR10) in any case.

**Table 6. Mode Register 2 (MR2)**

MR27 – MR24										MR23 – MR20
TxC	RxC	Pin 9	Pin 25	TxC	RxC	Pin 9	Pin 25	Mode	Baud Rate Selection	
0000	E	E	TxC RxC	1000	E	E	XSYNC* RxC/TxC	sync	See baud rates in Table 1.	
0001	E	I	TxC 1X	1001	E	I	TxC BKDET	async		
0010	I	E	1X RxC	1010	I	E	XSYNC* RxC	sync		
0011	I	I	1X 1X	1011	I	I	1X BKDET	async		
0100	E	E	TxC RxC	1100	E	E	XSYNC* RxC/TxC	sync		
0101	E	I	TxC 16X	1101	E	I	TxC BKDET	async		
0110	I	E	16X RxC	1110	I	E	XSYNC* RxC	sync		
0111	I	I	16X 16X	1111	I	I	16X BKDET	async		

**NOTES:**

- \* When pin 9 is programmed as XSYNC input, SYN1, SYN1–SYN2, and DLE–SYN1 detection is disabled.
- E = External clock
- I = Internal clock (BRG)
- 1X and 16X are clock outputs.

**Table 7. Command Register (CR)**

CR7	CR6	CR5	CR4	CR3	CR2	CR1	CR0
Operating Mode		Request to Send	Reset Error	Sync/Async	Receive Control (RxEN)	Data Terminal Ready	Transmit Control (TxEN)
00 = Normal operation 01 = Async: Automatic Echo mode Sync: SYN and/or DLE stripping mode 10 = Local loopback 11 = Remote loopback		0 = Force RTS Output High one clock time after TxSR serialization 1 = Force RTS output Low	0 = Normal 1 = Reset error flags in status reg. (FE,OE,PE/DLE detect.)	<b>Async:</b> Force Break 0 = Normal 1 = Force break  <b>Sync Send DLE</b> 0 = Normal 1 = Send DLE	0 = Disable 1 = Enable  Not applicable in	0 = Force DTR output High 1 = Force DTR output Low	0 = Disable 1 = Enable

# Enhanced programmable communications interface (EPCI)

SCN2661/SCN68661

**Table 8. Status Register (SR)**

SR7	SR6	SR5	SR4	SR3	SR2	SR1	SR0
<b>Data Set Ready</b>	<b>Data Carrier Detect</b>	<b>FE/SYN Detect</b>	<b>Overrun</b>	<b>PE/DLE Detect</b>	<b>TxE<math>\overline{M}</math>T D<math>\overline{S}</math>CHG</b>	<b>RxRDY</b>	<b>TxRDY</b>
0 = DSR input is High 1 = DSR input is Low	0 = DCD input is High 1 = DCD input is Low	<b>Async:</b> 0 = Normal 1 = Framing error  <b>Sync:</b> 0 = Normal 1 = SYN detected	0 = Normal 1 = Overrun error	<b>Async:</b> 0 = Normal 1 = Parity error  <b>Sync:</b> 0 = Normal 1 = Parity error or DLE received	0 = Normal 1 = Change in DSR or DCD, or transmit shift register is empty	0 = Receive holding register empty 1 = Receive holding register has data	0 = Transmit holding register busy 1 = Transmit holding register empty

**Mode Register 2 (MR2)**

Table 6 illustrates mode register 2. MR23, MR22, MR21 and MR20 control the frequency of the internal baud rate generator (BRG). Sixteen rates are selectable for each EPCI version (-1, -2, -3). Versions 1 and 2 specify a 4.9152MHz TTL input at BRCLK (pin 20); version 3 specifies a 5.0688MHz input which is identical to the Philips Semiconductors 2651. MR23 – 20 are don't cares if external clocks are selected (MR25 – MR24 = 0). The individual rates are given in Table 1.

MR24 – MR27 select the receive and transmit clock source (either the BRG or an external input) and the function at pins 9 and 25. Refer to Table 6.

**Command Register (CR)**

Table 7 illustrates the command register. Bits CR0 (TxEN) and CR2 (RxEN) enable or disable the transmitter and receiver respectively. A 0-to-1 transition of CR2 forces start bit search (async mode) or hunt mode (sync mode) on the second Rx $\overline{C}$  rising edge. Disabling the receiver causes RxRDY to go High (inactive). If the transmitter is disabled, it will complete the transmission of the character in the transmit shift register (if any) prior to terminating operation. The Tx $\overline{D}$  output will then remain in the marking state (High) while TxRDY and TxEM $\overline{T}$  will go High (inactive). If the receiver is disabled, it will terminate operation immediately. Any character being assembled will be neglected. A 0-to-1 transition of CR2 will initiate start bit search (async) or hunt mode (sync).

Bits CR1 (DTR) and CR5 (RTS) control the DTR and RTS outputs. Data at the outputs are the logical complement of the register data.

In asynchronous mode, setting CR3 will force and hold the Tx $\overline{D}$  output Low (spacing condition) at the end of the current transmitted character. Normal operation resumes when CR3 is cleared. The Tx $\overline{D}$  line will go High for at least one bit time before beginning transmission of the next character in the transmit data holding register. In synchronous mode, setting CR3 causes the transmission of the DLE register contents prior to sending the character in the transmit data holding register. Since this is a one time command, CR3 does not have to be reset by software. CR3 should be set when entering and exiting transparent mode and for all DLE-non-DLE character sequences.

Setting CR4 causes the error flags in the status register (SR3, SR4, and SR5) to be cleared; this is a one time command. There is no internal latch for this bit.

When CR5 (RTS) is set, the  $\overline{R}$ T $\overline{S}$  pin is forced Low. A 1-to-0 transition of CR5 will cause  $\overline{R}$ T $\overline{S}$  to go High (inactive) one Tx $\overline{C}$  time after the last serial bit has been transmitted. If a 1-to-0 transition of CR5 occurs while data is being transmitted,  $\overline{R}$ T $\overline{S}$  will remain Low

(active) until both the THR and the transmit shift register are empty and then go High (inactive) one Tx $\overline{C}$  time later.

The EPCI can operate in one of four submodes within each major mode (synchronous or asynchronous). The operational sub-mode is determined by CR7 and CR6. CR7 – CR6 = 00 is the normal mode, with the transmitter and receive operating independently in accordance with the mode and status register instructions.

In asynchronous mode, CR7 – CR6 = 01 places the EPCI in the automatic echo mode. Clocked, regenerated received data are automatically directed to the Tx $\overline{D}$  line while normal receiver operation continues. The receiver must be enabled (CR2 = 1), but the transmitter need not be enabled. CPU to receiver communication continues normally, but the CPU to transmitter link is disabled. Only the first character of a break condition is echoed.

The Tx $\overline{D}$  output will go High until the next valid start is detected. The following conditions are true while in automatic echo mode:

1. Data assembled by the receiver are automatically placed in the transmit holding register and retransmitted by the transmitter on the Tx $\overline{D}$  output.
2. The transmitter is clocked by the receive clock.
3.  $\overline{T}$ xRDY output = 1.
4. The TxEM $\overline{T}$ /D $\overline{S}$ CHG pin will reflect only the data set change condition.
5. The TxEN command (CR0) is ignored.

In synchronous mode, CR7 – CR6 = 01 places the EPCI in the automatic SYN/DLE stripping mode. The exact action taken depends on the setting of bits MR17 and MR16:

1. In the non-transparent, single SYN mode (MR17 – MR16 = 10), characters in the data stream matching SYN1 are not transferred to the Receive Data Holding register (RHR).
2. In the non-transparent, double SYN mode (MR17 – MR16 = 00), character in the data stream matching SYN1, or SYN2 if immediately preceded by SYN1, are not transferred the RHR.
3. In transparent mode (MR16 = 1), character in the data stream matching DLE, or SYN1 if immediately preceded by DLE, are not transferred to the RHR. However, only the first DLE of a DLE–DLE pair is stripped.

Note that automatic stripping mode does not affect the setting of the DLE detect and SYN detect status bits (SR3 and SR5).

Two diagnostic sub-modes can also be configured. In local loopback mode (CR7 – CR6 = 10), the following loops are connected internally:

## Enhanced programmable communications interface (EPCI)

SCN2661/SCN68661

1. The transmitter output is connected to the receiver input.
2.  $\overline{\text{DTR}}$  is connected to  $\overline{\text{DCD}}$  and  $\overline{\text{RTS}}$  is connected to  $\overline{\text{CTS}}$ .
3. The receiver is clocked by the transmit clock.
4. The  $\overline{\text{DTR}}$ ,  $\overline{\text{RTS}}$  and  $\overline{\text{TxD}}$  outputs are held High.
5. The  $\overline{\text{CTS}}$ ,  $\overline{\text{DCD}}$ ,  $\overline{\text{DSR}}$  and  $\overline{\text{Rx}}$  inputs are ignored.

Additional requirements to operate in the local loopback mode are that CR0 (TxEN), CR1 (DTR) and CR5 (RTS) must be set to 1. CR2 (RxEN) is ignored by the EPCI.

The second diagnostic mode is the remote loopback mode (CR7 – CR6 = 11). In this mode:

1. Data assembled by the receiver are automatically placed in the transmit holding register and retransmitted by the transmitter on the Tx output.
2. The transmitter is clocked by the receiver clock.
3. No data are sent to the local CPU, but the error status conditions (PE, FE) are set.
4. The  $\overline{\text{RxRDY}}$ ,  $\overline{\text{TxD}}$ , and  $\overline{\text{TxEMT/DSCHG}}$  outputs are held High.
5. CR0 (TxEN) is ignored.
6. All other signals operate normally.

### Status Register

The data contained in the status register (as shown in Table 8) indicates receiver and transmitter conditions and modem/data set status.

SR0 is the transmitter ready (TxRDY) status bit. It, and its corresponding output, are valid only when the transmitter is enabled. If equal to 0, it indicates that the transmit data holding register has been loaded by the CPU and the data has not been transferred to the transmit register. If set equal to 1, it indicates that the holding register is ready to accept data from the CPU. This bit is initially set when the transmitter is enabled by CR0, unless a character has previously been loaded into the holding register. It is not set when the automatic echo or remote loopback modes are programmed. When this bit is set, the  $\overline{\text{TxD}}$  output pin is Low. In the automatic echo and remote loopback modes, the output is held High.

SR1, the receiver ready (RxRDY) status bit, indicates the condition of the receive data holding register. If set, it indicates that a character has been loaded into the holding register from the receive shift register and is ready to be read by the CPU. If equal to zero,

there is no new character in the holding register. This bit is cleared when the CPU reads the receive data holding register or when the receiver is disabled by CR2. When set, the  $\overline{\text{RxRDY}}$  output is Low.

The TxEMT/DSCHG bit, SR2, when set, indicates either a change of state of the  $\overline{\text{DSR}}$  or  $\overline{\text{DCD}}$  inputs (when CR2 or CR0 = 1) or that the transmit shift register has completed transmission of a character and no new character has been loaded into the transmit data holding register. Note that in synchronous mode this bit will be set even though the appropriate “fill” character is transmitted. TxEMT will not go active until at least one character has been transmitted. It is cleared by loading the transmit data holding register. The DSCHG condition is enabled when TxEN = 1 or RxEN = 1. It is cleared when the status register is read by the CPU. If the status register is read twice and SR2 – 1 while SR6 and SR7 remain unchanged, then a TxEMT condition exists. When SR2 is set, the TxEMT/DSCHG output is Low.

SR3, when set, indicates a received parity error when parity is enabled by MR14. In synchronous transparent mode (MR16 = 1), with parity disabled, it indicates that a character matching DLE register was received and the present character is neither SYN or DLE. This bit is cleared when the next character following the above sequence is loaded into RHR, when the receiver is disabled, or by a reset error command, CR4.

The overrun error status bit, SR4, indicates that the previous character loaded into the receive holding register was not ready the CPU at the time of new received character was transferred into it. This bit is cleared when the receiver is disabled or by the reset error command, CR4.

In asynchronous mode, bit SR5 signifies that the received character was not framed by a stop bit; i.e., only the first stop bit is checked. If RHR = 0 when SR5 = 1, a break condition is present. In synchronous non-transparent mode (MR16 = 0), it indicates receipt of the SYN1 character in single SYN mode or the SYN1 – SYN2 pair in double SYN mode. In synchronous transparent mode (MR16 = 1), this bit is set upon detection of the initial synchronizing characters (SYN or SYN1 – SYN2) and, after synchronization has been achieved, when a DLE–SYN1 pair is received. The bit is reset when the receiver is disabled, when the reset error command is given in asynchronous mode, or when the status register is read by the CPU in the synchronous mode.

SR6 and SR7 reflect the conditions of the  $\overline{\text{DCD}}$  and  $\overline{\text{DSR}}$  inputs, respectively. A Low input sets its corresponding status bit, and a High input clears it.

# Enhanced programmable communications interface (EPCI)

SCN2661/SCN68661

**Table 9. 68661 EPCI vs 2651 PCI**

FEATURE	EPCI	PCI
1. MR2 BIT 6, 7	Control pins 9, 25	Not used
2. DLE detect – SR3	SR3 = 0 for DLE–DLE, DLE – SYN1	SR3 = 1 for DLE–DLE, DLE – SYN1
3. Reset of SR3, DLE detect	Second character after DLE, or receiver disable, or CR4 = 1	Receiver disable, or CR4 = 1
4. Send DLE – CR3	One time command	Reset via CR3 on next TxRDY
5. DLE stuffing in transparent mode	Automatic DLE stuffing when DLE is loaded except if CR3 = 1	None
6. SYN1 stripping in double sync non-transparent mode	All SYN1	First SYN1 of pair
7. Baud rate versions	Three	One
8. Terminate ASYNC transmission (drop RTS)	Reset CR5 in response to TxEMT changing from 1 to 0	Reset CR0 when TxEMT goes from 1 to 0. Then reset CR5 when TxEMT goes from 1 to 0
9. Break detect	Pin 25*	FE and null character
10. Stop bit searched	One	Two
11. External jam sync	Pin 9**	No
12. Data bus timing	Improved over 2651	—
13. Data bus drivers	Sink 2.2mA Source 400µA	Sink 1.6mA Source 100µA

**NOTES:**

\* Internal BRG used for Rx.C.

\*\* Internal BRG used for Tx.C.

**AC LOAD CONDITIONS**



**NOTES:**

Open-drain outputs.

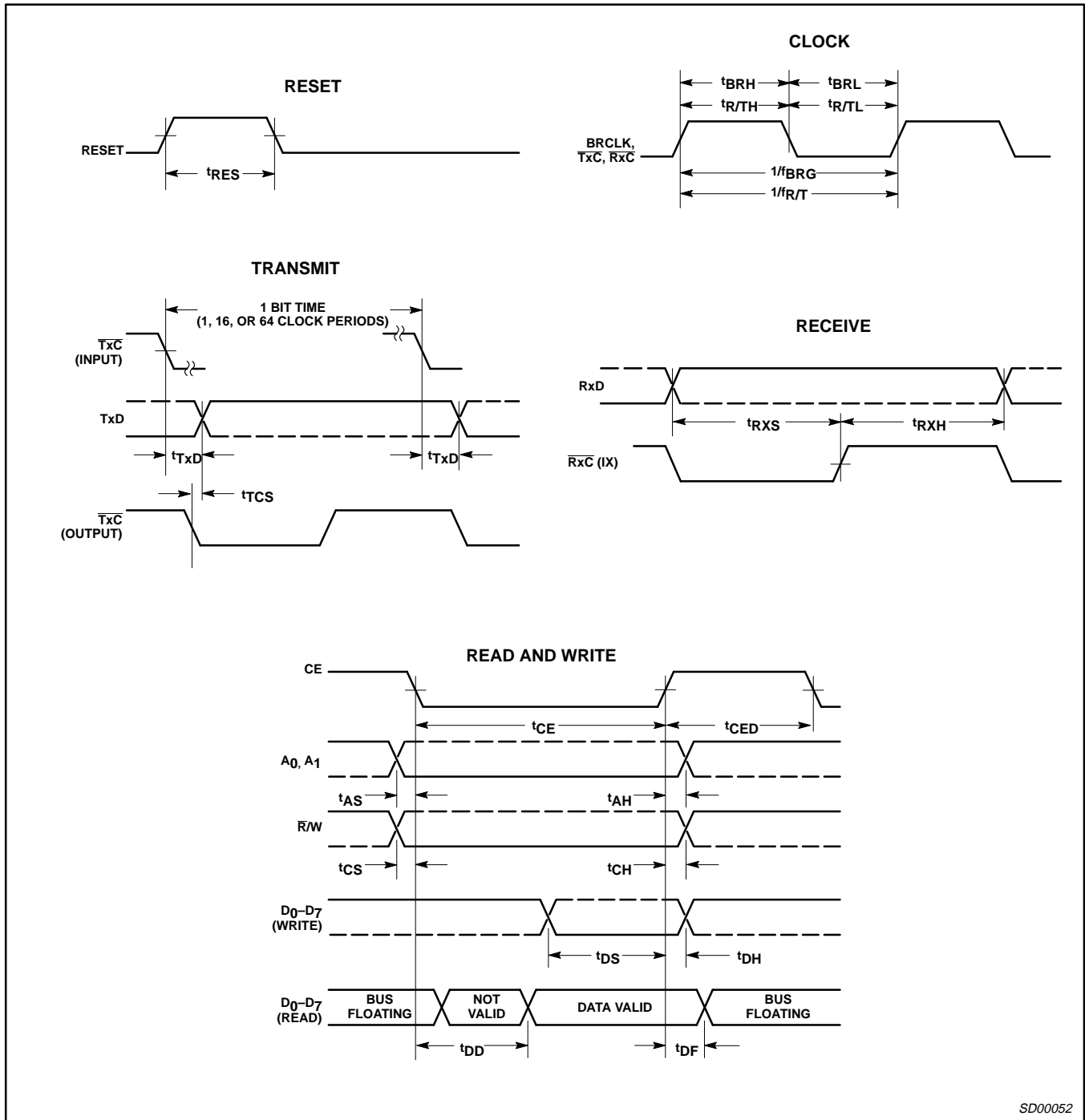
CL = Load capacitance includes JIG and probe capacitance.

SD00080

# Enhanced programmable communications interface (EPCI)

SCN2661/SCN68661

## TIMING DIAGRAMS

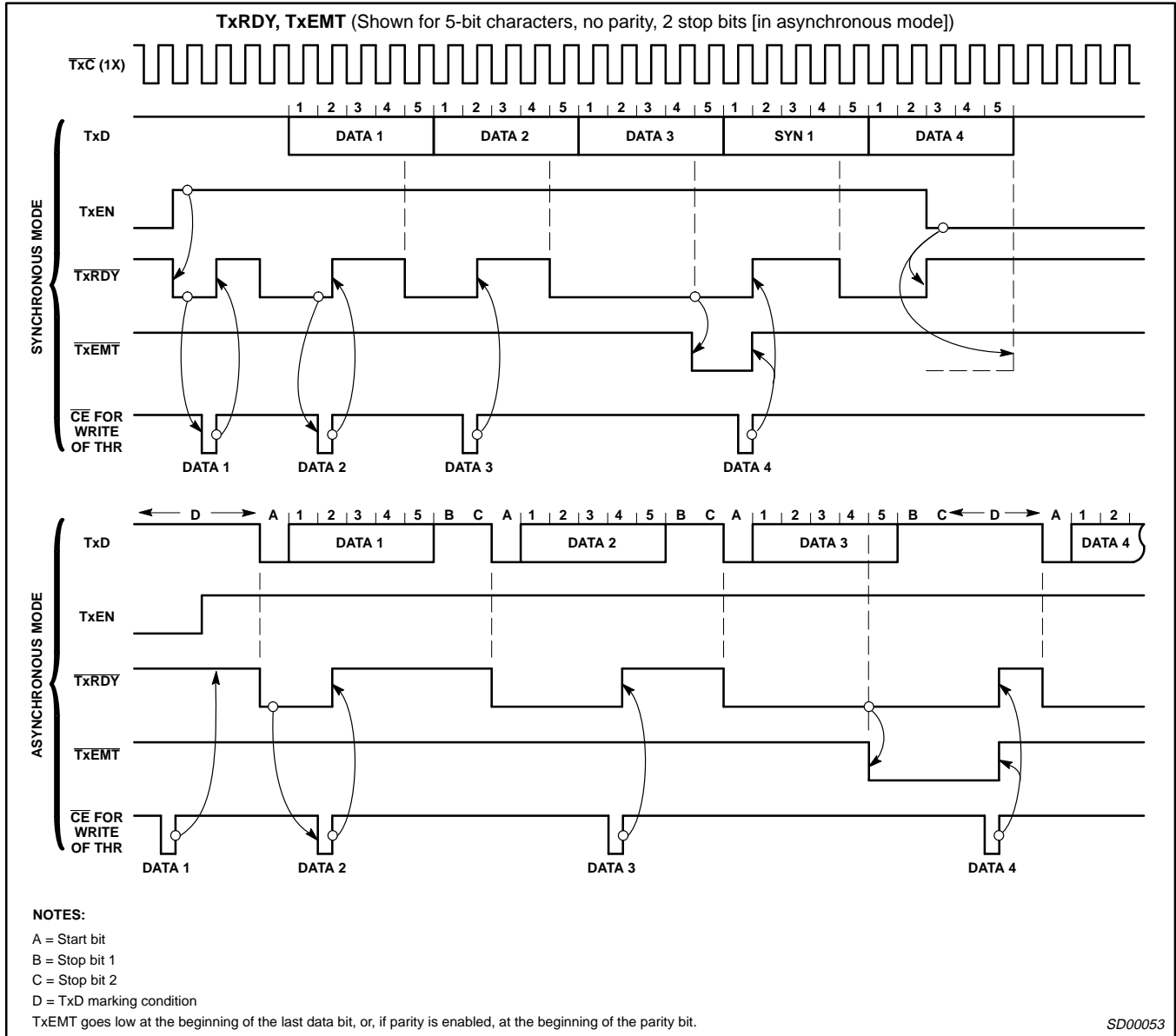


SD00052

# Enhanced programmable communications interface (EPCI)

SCN2661/SCN68661

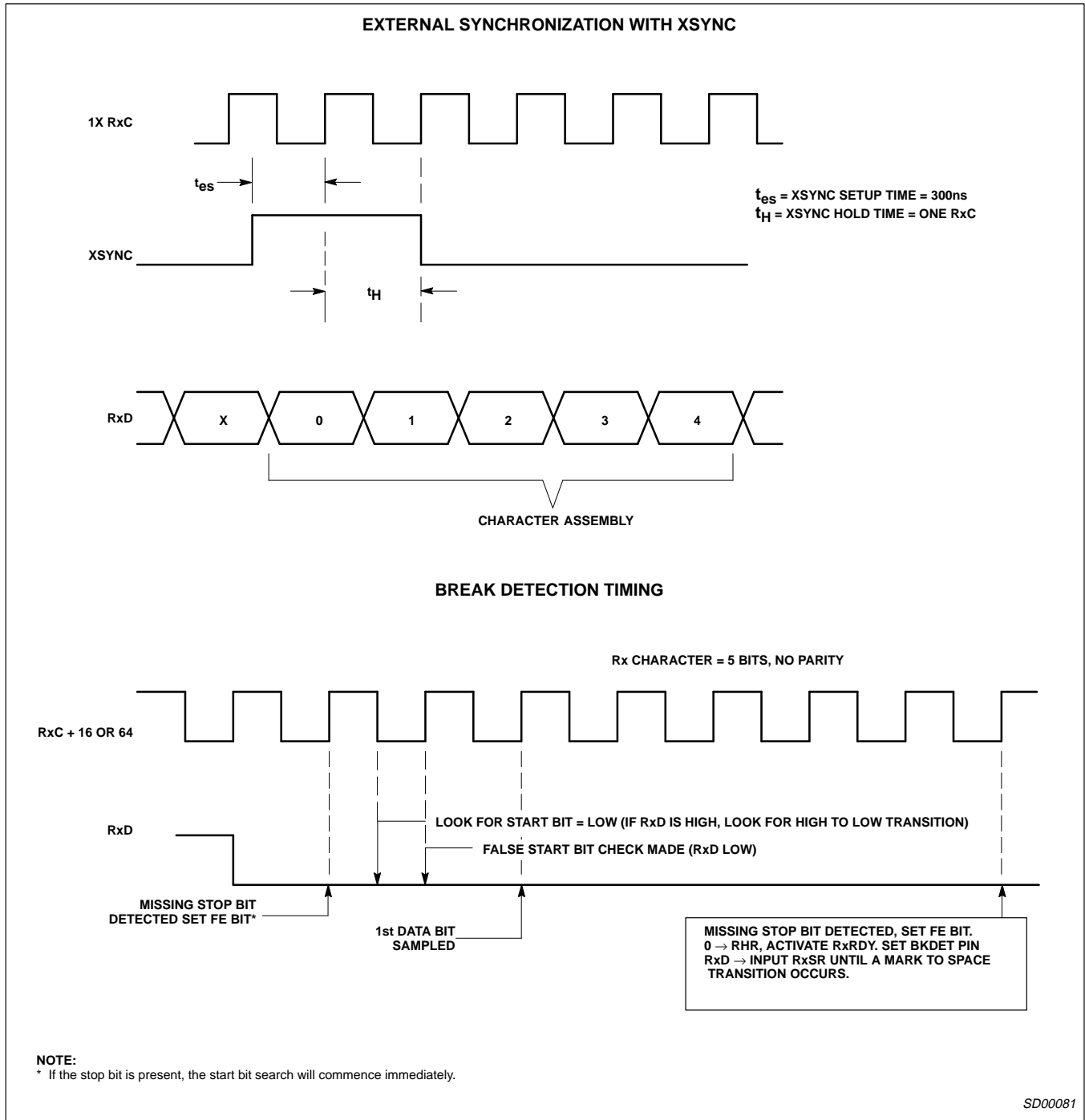
## TIMING DIAGRAMS (Continued)



# Enhanced programmable communications interface (EPCI)

## SCN2661/SCN68661

### TIMING DIAGRAMS (Continued)

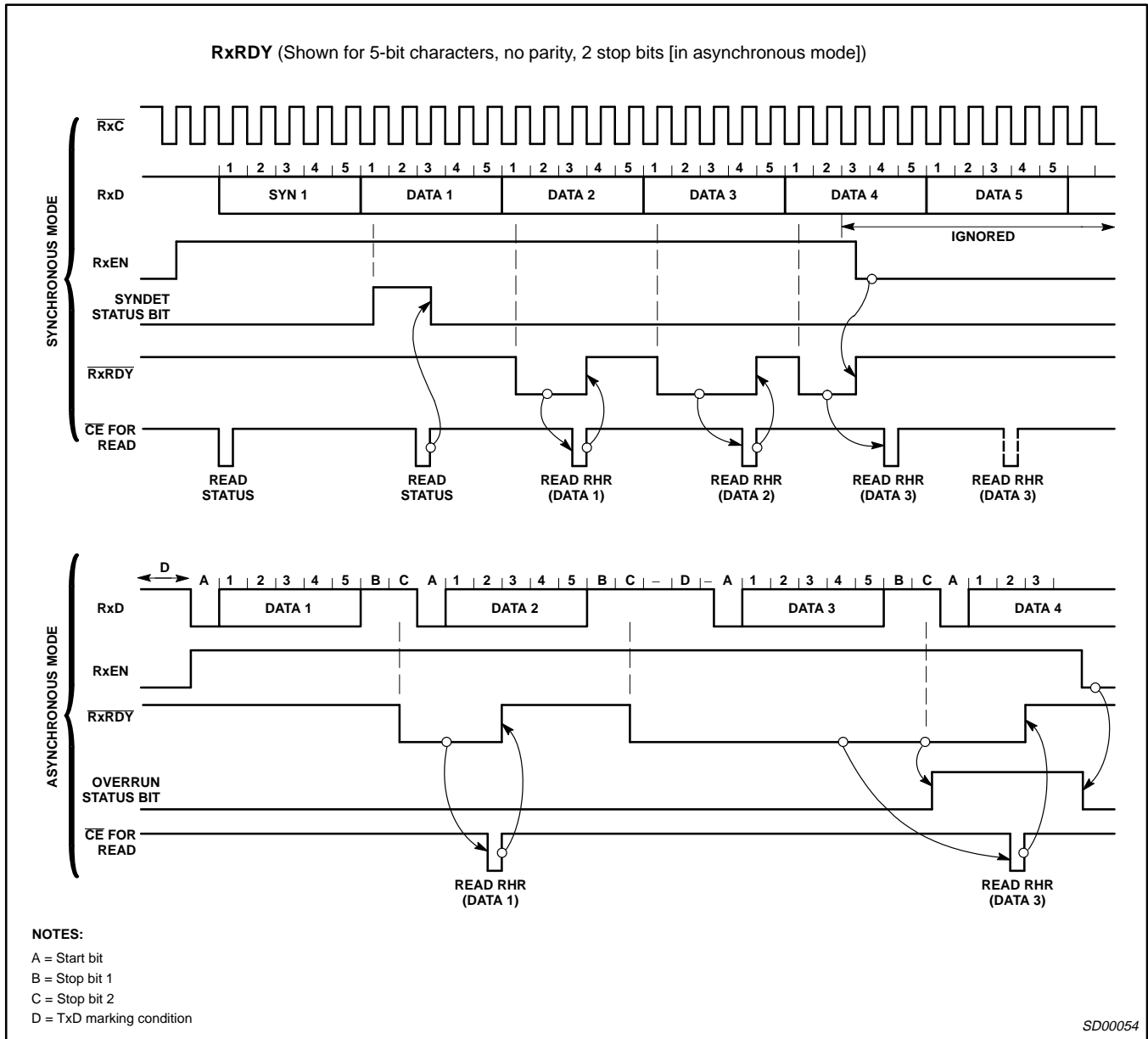




# Enhanced programmable communications interface (EPCI)

SCN2661/SCN68661

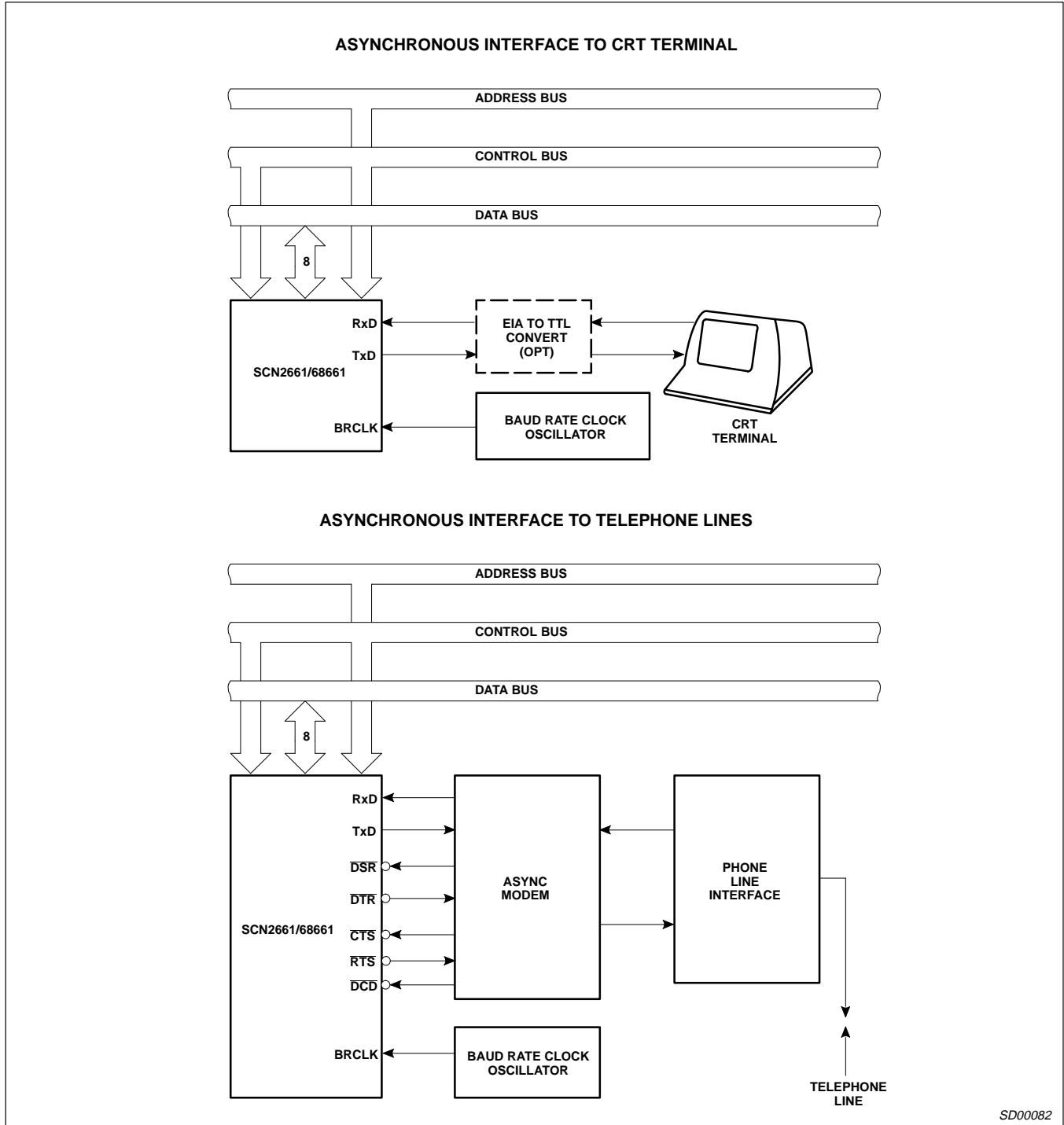
## TIMING DIAGRAMS (Continued)



# Enhanced programmable communications interface (EPCI)

## SCN2661/SCN68661

### TYPICAL APPLICATIONS



SD00082

# Enhanced programmable communications interface (EPCI)

## SCN2661/SCN68661

### TYPICAL APPLICATIONS (Continued)

