

GENERAL

The CM90E unidirectional condenser mic is Carvin's finest studio microphone.

The CM90E has an Extremely flat response and wide frequency range of 30Hz to 20kHz that will give the user exceptionally accurate results in recording, broadcast and difficult sound reinforcement applications. The CM90E's High sensitivity is ideal for use in distant micing such as church choirs, pulpits and conference rooms. Super low distortion right up to its high overload point of 132dB/SPL makes the CM90E excellent for micing instruments and drums too.

Microphone Features:

The CM90E is also designed for high end studio recording and broadcast applications.

- Bright, clean sound. Especially good for announcing, distant micing (choirs, pulpits, & conference rooms) narration and dialogue, vocal music, rhythm pickups
- Unusually effective cardioid pickup pattern to minimize background noise and undesirable effects of studio and location acoustics. Rear and side rejection uniform to very low frequencies and completely symmetrical about microphone axis
- Versatility — designed for both field and studio use hand-held or on a stand (slip-in swivel adapter included)
- Cartridge shock-mounted for protection and quiet operation

TYPICAL FREQUENCY RESPONSE

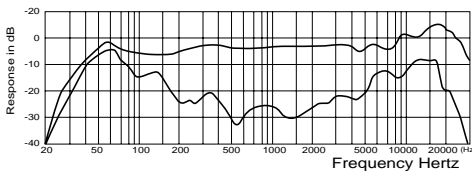
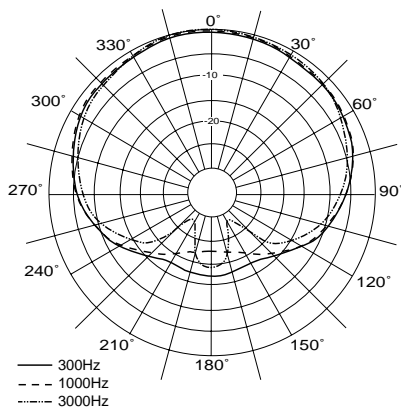


FIGURE 1

Polar Pattern

Cardioid — rotationally symmetrical about microphone axis, uniform with frequency (see Figure 2)



TYPICAL POLAR PATTERNS

FIGURE 2

SPECIFICATIONS

Type

Condenser

Frequency Response

30Hz to 20 kHz

Output Level (at 1,000 Hz, 320 ohms)

Open Circuit Voltage*

-74 dB

Hum Pickup (typical)

132 dB equivalent SPL per milliorsted

Cable

6.0m (20 ft) three-conductor shielded broadcast type with 3-socket professional audio connector*

Case

Black enamel die casting and black enamel steel mesh grille

Swivel Adapter

Slip-in positive-action, adjustable from 0° to 90°, with standard 5/8"-27 thread

Net Weight (less cable & battery)

6.3 oz.(180g)

* To mate with Cannon XL series, Switchcraft A3 (Q.G.) series or equivalent connector

GUARANTEE

This Carvin product is guaranteed in normal use to be free from electrical and mechanical defects for a period of one year from date of purchase. Please retain proof of purchase date. This guarantee includes parts and labor.

This guarantee is in lieu of any and all other guarantees or warranties, express or implied, and there shall be no recovery for any consequential or incidental damages.

SHIPPING INSTRUCTIONS

Carefully repack the unit, have it insured, and return it prepaid to:

Carvin Corp.
Attention: Service Department
12340 World Trade Drive
San Diego, CA 92128

MODEL CM90E



CARVIN

12340 World Trade Drive, San Diego, CA 92128
(619) 487-1600 (800) 854-2235
www.carvin.com

